



VERTIV™

CONTROL ROOM INFRASTRUCTURE

VERTIV™ KNÜRR ELICON®

Ergonomic. Modular. Future-proof



- Knürr Elicon®
VC and VC-E Series 4
- Knürr Elicon®
Classic 14
- Knürr Elicon®
Accessories 22

MODULAR WORKSTATION SYSTEM

Whether Wether for video surveillance, security dispatching or engineering workstations – our comprehensive product range offers **optimal solutions for a customized, ergonomic and efficient workstation.**

The **modular design** enables a wide variety of configurations and guarantees the highest degrees of flexibility. Combinations of tables can be retrofitted or modified at any time and without considerable effort.

High quality materials with extruded aluminum profiles in combination with die-cast aluminum stabilizers ensure a **maximum degree of stability and sturdiness.**

Ergonomic details simplify daily work in various situations and environments.

A **comprehensive range of accessories** completes the Knürr Elicon workstation system: flat screen holders, PC and 19-inch rack containers, workstation lighting, usable storage trays, cable routing ducts and other extras.





- Height-selectable and electrically height adjustable consoles for best ergonomics and operator efficiency.
- The modular design allows a wide range of configurations and ensures maximum flexibility. Console elements can be retrofitted and upgraded at any time to stay future-proof.
- High-quality materials like aluminum die-cast profiles guarantee maximum stability and durability.

Knürr Elicon®VC-E

Electrical height adjustable Sit-Stand Workstation



Intelligent cable routing

Covered vertical cable routing in the side section, accessible from the inside and outside

High quality tabletops

with depths of 800 mm and 900 mm, linear or curved variants



Modular console system

Frame widths from 1200 mm to 2000 mm

In compliance with standards

Certified usability and ergonomics based on DIN 33419 / EN ISO 15537 and DIN EN 527-1.

Maximum stability

Extruded aluminum profiles with die-cast aluminum stabilizers to ensure the highest degree of stability

CON20111

Standard colors:



A RAL7035
Light gray



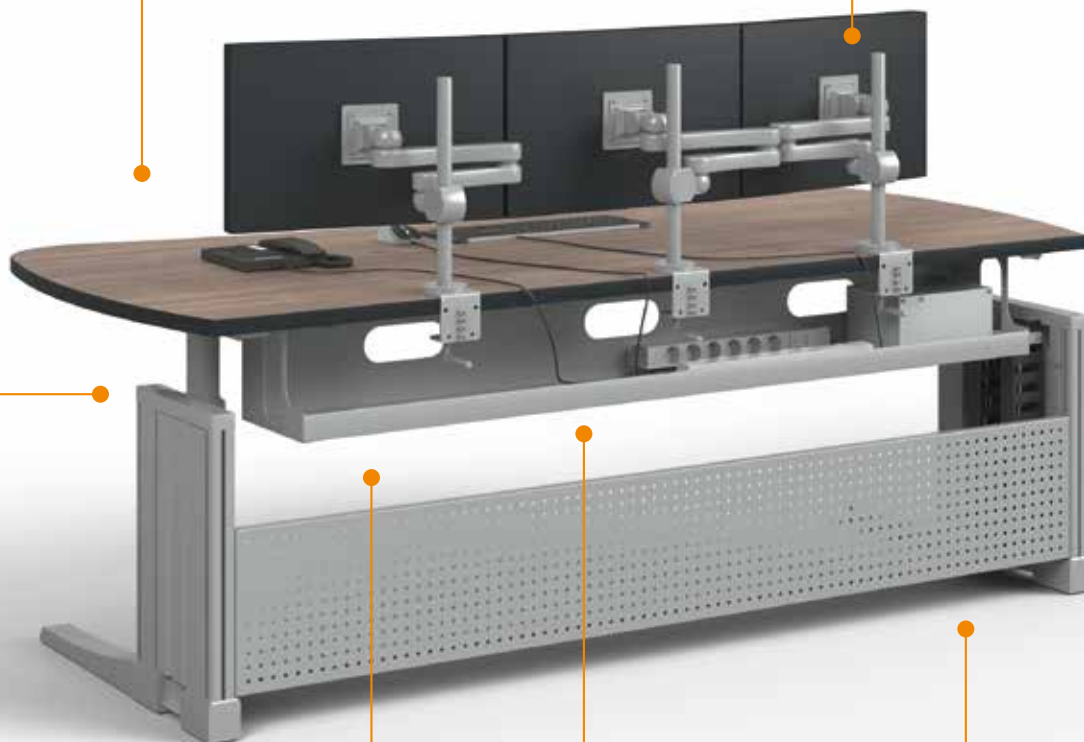
B Nelson Oak
wood grain

Modern design and color scheme

Base frame in RAL 9006 white aluminium, tabletop either in RAL 7035 light gray or Nelson Oak wood grain

Simple screen integration

High degree of flexibility thanks to adjustable jointed screen arms



Comfortable height adjustment

Electric height adjustment from 650 to 1250 mm

Flat packaging

for reduced transport volume

Generous cable troughs

to accommodate socket strips, KVM switches, cables and so forth

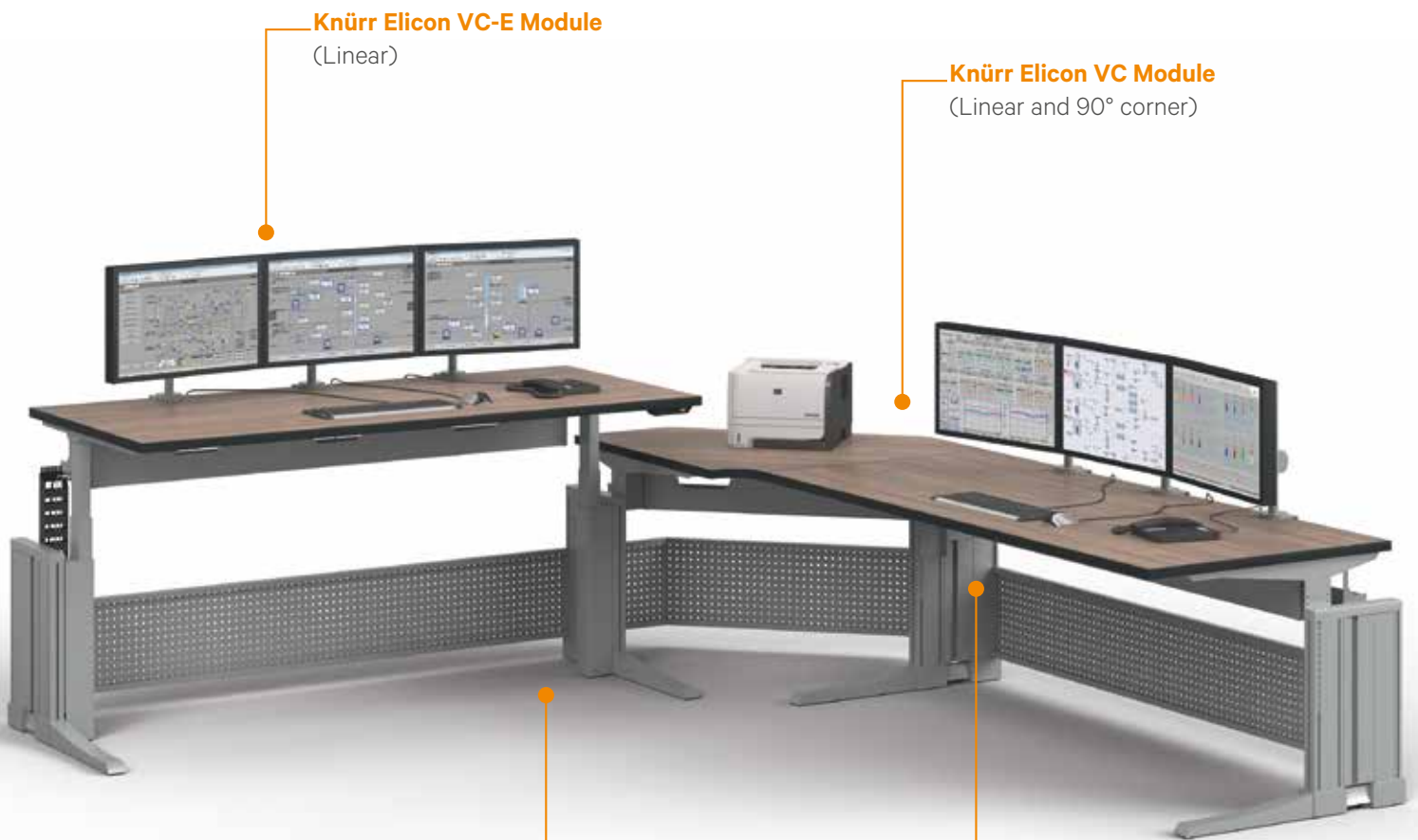
Sturdy rear panel

to ensure optimal lateral stability and function as a privacy screen

CON20112

Knürr Elicon®VC

Height adjustable (VC), in combination with electric height adjustment (VC-E)



Knürr Elicon VC-E Module
(Linear)

Knürr Elicon VC Module
(Linear and 90° corner)

Simple chain-linking of electrically adjustable (VC-E) and height selectable (VC) consoles



Height adjustable in 20 mm increments from 640 to 760 mm

Standard colors:



A RAL7035
Light gray



B Nelson Oak
wood grain

CON2013

Future-proof modular design

Expand your existing table combinations, modify your current installation or supplement it with new accessories. The modular design and multi-functional T-grooves give you all the options for future upgrades.

Easy assembly

Quick and easy to assemble on site



Intelligent cable routing

Covered vertical cable routing in the side section, accessible from the inside and outside

Optional rear panels

for VC consoles guarantee a uniform design

Roomy cable troughs

Full accessibility, including optional privacy protection using front covers and plug-in rear panel

High quality energy chain

for safe and convenient routing from the VC-E side section to the cable trough

CON20114

Knürr Elicon® VC-E Side Sections
Electric height adjustment

- Height adjustment range: 650 mm to 1250 mm
- Only usable in combination with Elicon VC-E Working Surfaces

• **Material / Finish**

- Extruded aluminum profiles with die-cast aluminum stabilizers and top section
- Steel panel covers, powder-coated

• **Color**

- RAL9006 White aluminium

• **Supply schedule**

- Left-hand and right-hand variants: 1 side section with lifting column, lifting column and cable duct covers
- Center variant: 1 side section with 2 lifting columns, lifting column and cable duct covers

• **How supplied**

- Completely preassembled



Side section, left

CON20115

Side section, right

CON20116



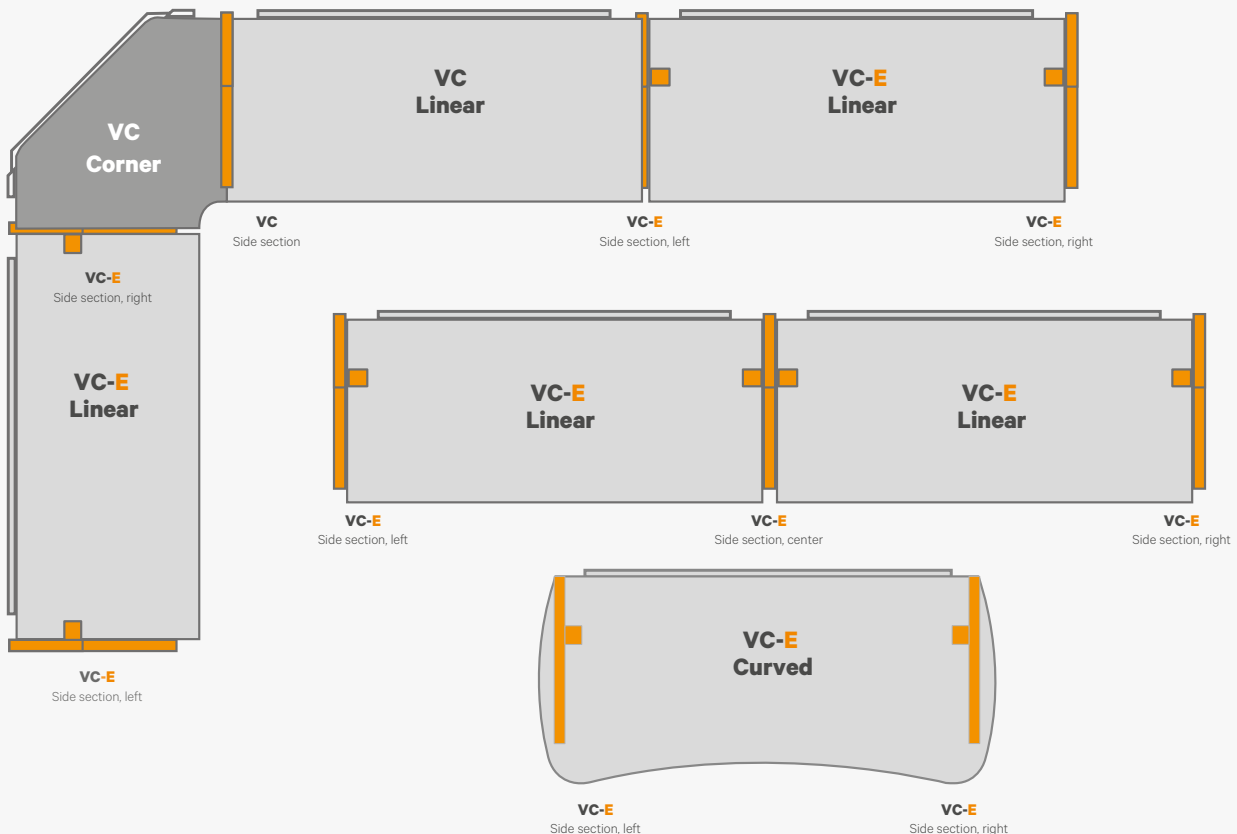
Side section, center

CON20117

H	D	Model	Order-No	UP
590	800	Side section, left	04.265.130.7	1 unit
590	800	Side section, right	04.265.131.7	1 unit
590	800	Side section, center	04.265.132.7	1 unit

Maximum stability guaranteed!

Custom linking options between **VC-E** and **VC** modules



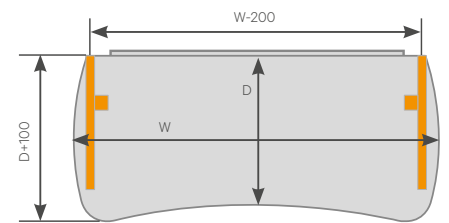
Knürr Elicon® VC-E Working Surfaces Curved

- Single table
- Height adjustment range: 650 mm to 1250 mm
- Only usable in combination with Elicon VC-E Side Sections
- **Loading capacity**
 - 1200 N (static surface load)
- **Material / Finish**
 - Tabletop: Three-layer particle board FP/Y E1 variant, fire protection class B2
 - Tabletop cover: High pressure plastic laminate (HPL)
 - Edging: ABS
 - Stabilizer, cable trough and rear panel Steel panel, powder-coated
- **Color combination**
 - Tabletop:
 - .A RAL7035 Light gray or
 - .B Nelson Oak wood grain
 - Edging: Black gray
 - Sheet metal parts: RAL9006 White aluminium
- **Supply schedule**
 - 1 working surface with horizontal cable duct
 - 1 control unit for electrical height adjustment
 - 1 energy chain
 - 1 rear panel, bottom
- **How supplied**
 - Preassembled, flat packaging

W	D	Model	Order-no.	UP
1400	800	Curved	04.265.023.x	1 unit
1600	800	Curved	04.265.024.x	1 unit
1800	800	Curved	04.265.025.x	1 unit
2000	800	Curved	04.265.026.x	1 unit
2200	800	Curved	04.265.027.x	1 unit
1400	900	Curved	04.265.033.x	1 unit
1600	900	Curved	04.265.034.x	1 unit
1800	900	Curved	04.265.035.x	1 unit
2000	900	Curved	04.265.036.x	1 unit
2200	900	Curved	04.265.037.x	1 unit



CON20118



CON20119

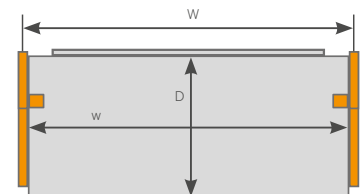
Knürr Elicon® VC-E Working Surfaces Linear

- Single table or linked
- Height adjustment range: 650 mm to 1250 mm
- Only usable in combination with Elicon VC-E Side Sections
- **Loading capacity**
 - 1200 N (static surface load)
- **Material / Finish**
 - Tabletop: Three-layer particle board FP/Y E1 variant, fire protection class B2
 - Tabletop cover: High pressure plastic laminate (HPL)
 - Edging: ABS
 - Stabilizer, cable trough and rearpanel Steel panel, powder-coated
- **Color combination**
 - Tabletop:
 - .A RAL7035 Light gray or
 - .B Nelson Oak wood grain
 - Edging: Black gray
 - Sheet metal parts: RAL9006 White aluminium
- **Supply schedule**
 - 1 working surface with horizontal cable duct
 - 1 control unit for electrical height adjustment
 - 1 energy chain
 - 1 rear panel, bottom
- **How supplied**
 - Preassembled, flat packaging

W	D	w	Model	Order-no.	UP
1200	800	1142	Linear	04.265.003.x	1 unit
1400	800	1342	Linear	04.265.004.x	1 unit
1600	800	1542	Linear	04.265.005.x	1 unit
1800	800	1742	Linear	04.265.006.x	1 unit
2000	800	1942	Linear	04.265.007.x	1 unit
1200	900	1142	Linear	04.265.013.x	1 unit
1400	900	1342	Linear	04.265.014.x	1 unit
1600	900	1542	Linear	04.265.015.x	1 unit
1800	900	1742	Linear	04.265.016.x	1 unit
2000	900	1942	Linear	04.265.017.x	1 unit



CON20120



CON20121

Dimensions in mm: W = Width
H = Height
D = Depth
h = Installation height
d = Useful depth
L = Length

HU = Standard height unit, 1 HU = 44.45 mm
19" = 482.6 mm, (ideal for 19" components in acc. with DIN 41494)

UP = Unit of packaging
kg = Weight

Conversion: 1 inch = 25.4 mm
1 pound = 453.6 g

Replace „x“ with the number of your color choice

Knürr Elicon® VC Side Section
Height adjustable

- Height adjustable in 20 mm increments from 640 to 760 mm
- Only usable in combination with Elicon VC Working Surfaces
- **Material / Finish**
 - Extruded aluminum profiles with die-cast aluminum stabilizers and top section
 - Steel panel covers, powder-coated
- **Color**
 - RAL9006 White aluminium
- **Supply schedule**
 - 1 side section with cable duct covers
- **How supplied**
 - Completely preassembled

W	D	Model	Order-no.	UP
500	800	Side section	04.265.120.7	1 unit



CON20123

Knürr Elicon® VC Working Surfaces
Linear

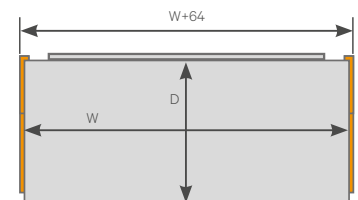
- Single table or linked
- Height adjustable in 20 mm increments from 640 to 760 mm
- Only usable in combination with Elicon VC Side Sections
- **Loading capacity**
 - 1200 N (static surface load)
- **Material / Finish**
 - Tabletop: Three-layer particle board FP/Y E1 variant, fire protection class B2
 - Tabletop cover: High pressure plastic laminate (HPL)
 - Edging: ABS
 - Stabilizer, cable trough and rear panel Steel panel, powder-coated
- **Color combination**
 - Tabletop:
 - .A RAL7035 Light gray or
 - .B Nelson Oak wood grain
 - Edging: Black gray
 - Sheet metal parts: RAL9006 White aluminium
- **Supply schedule**
 - 1 working surface with horizontal cable duct
- **How supplied**
 - Preassembled, flat packaging

W	D	MODEL	Order-no.	UP
1200	800	Linear	04.265.103.x	1 unit
1400	800	Linear	04.265.104.x	1 unit
1600	800	Linear	04.265.105.x	1 unit
1800	800	Linear	04.265.106.x	1 unit
2000	800	Linear	04.265.107.x	1 unit

1200	900	Linear	04.265.113.x	1 unit
1400	900	Linear	04.265.114.x	1 unit
1600	900	Linear	04.265.115.x	1 unit
1800	900	Linear	04.265.116.x	1 unit
2000	900	Linear	04.265.117.x	1 unit



CON20120



Please order the rear panel for foot areas separately for Elicon VC Working Surfaces!

Dimensions in mm: W = Width
H = Height
D = Depth
h = Installation height
d = Useful depth
L = Length
HU = Standard height unit, 1 HU = 44,45 mm
19" = 482,6 mm, (ideal for 19" components in acc. with DIN 41494)
UP = Unit of packaging
kg = Weight

Conversion: 1 inch = 25,4 mm
1 pound = 453,6 g
Replace „x“ with the number of your color choice

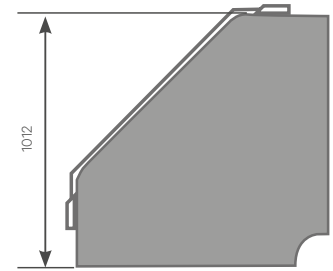
Knürr Elicon® VC Working Surfaces Corners

- Height adjustable in 20 mm increments from 640 to 760 mm
- Only usable in combination with Elicon VC Side Sections
- **Loading capacity**
 - 1200 N (static surface load)
- **Material / Finish**
 - Tabletop: Three-layer particle board FP/Y E1 variant, fire protection class B2
 - Tabletop cover: High pressure plastic laminate (HPL)
 - Edging: ABS
 - Stabilizer, cable trough and rear panel Steel panel, powder-coated
- **Color combination**
 - Tabletop:
 - .A RAL7035 Light gray or
 - .B Nelson Oak wood grain
 - Edging: Black gray
 - Sheet metal parts: RAL9006 White aluminium
- **Supply schedule**
 - 1 working surface with horizontal cable duct
- **How supplied**
 - Preassembled, flat packaging

D	Model	Order-no.	UP
800	90° corner	04.265.140.x	1 unit
800	90° wall corner	04.265.141.x	1 unit
900	90° corner	04.265.142.x	1 unit
900	90° wall corner	04.265.143.x	1 unit



CON20124



CON20125

Knürr Elicon® VC Rear Panels Leg area

- **Material / Finish**
 - Steel panel, powder-coated
- **Color**
 - RAL9006 White aluminium
- **Supply schedule**
 - 1 rear panel with mounting material
- **How supplied**
 - Flat-packed kit

W	H	Model	Order-no.	UP
1200	300	Straight	04.265.153.7	1 unit
1400	300	Straight	04.265.154.7	1 unit
1600	300	Straight	04.265.155.7	1 unit
1800	300	Straight	04.265.156.7	1 unit
2000	300	Straight	04.265.157.7	1 unit
	300	90° corner	04.265.160.7	1 unit



CON20126

Technical Container

- Technical container for rear mounting on the Elicon VC/E system table.
- With removable perforated sheet metal cladding and cable entry options on both sides.
- Cables can be guided from the raised floor into the container and via cable chains towards the working level.
- **Usable dimensions**
 - Clear depth: 200 mm
 - Clear height: 550 mm
- **Material / Finish**
 - Body: Three-layer particle board
 - Sheet metal parts: RAL9006 White aluminium

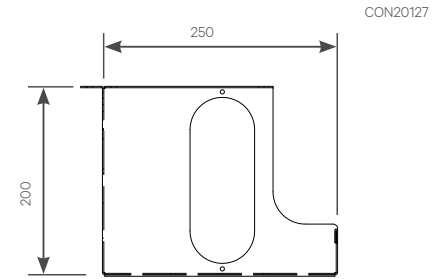
W	Order-no.	UP
1200	04.265.243.7	1 unit
1400	04.265.244.7	1 unit
1600	04.265.245.7	1 unit.
1800	04.265.246.7	1 unit
2000	04.265.247.7	1 unit



Knürr Elicon® VC/VC-E Cover Set for cable duct

- **Material / Finish**
 - Steel panel, powder-coated
- **Color**
 - RAL9006 White aluminium
- **Supply schedule**
 - 1 rear panel
 - 1 set of covers, front side
 - Mounting material

W	H	Model	Order-no.	UP
1200	200	Straight	04.265.163.7	1 unit
1400	200	Straight	04.265.164.7	1 unit
1600	200	Straight	04.265.165.7	1 unit
1800	200	Straight	04.265.166.7	1 unit
2000	200	Straight	04.265.167.7	1 unit
	200	90° corner	04.265.170.7	1 unit



Sectional drawing of cable trough

CON20128

Knürr Elicon® Computer Mount Lateral

- Left-hand, right-hand or dual mounting on vertical profile (both inside and outside) at any height
- WIDTH adjustable (165 to 265 mm)
- **Material / Finish**
 - Steel panel, anti-static, powder-coated structure.
- **Color**
 - RAL 9006 White aluminium
- **Loading capacity**
 - 250 N (static surface load)
- **Note**
 - The lowest mounting position corresponds to 80 mm (minimum ground clearance)
- **Supply schedule**
 - 1 computer support
 - Mounting material
- **How supplied**
 - Flat-packed kit

W	H	D	Order-no.	UP
			04.208.078.7	1 unit



CON20129

Knürr Elicon® VC/VC-E Adapter Bracket for PC Mount

- Required in addition to computer mount 04.208.078.7 for front-side mounting!
- **Color**
 - RAL 9006 White aluminium

Model	Order-no.	UP
For front-side mounting	04.265.179.7	1 unit

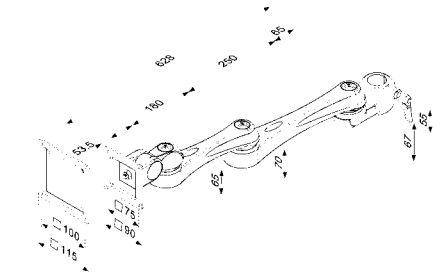


CON20130

Dimensions in mm: W = Width
 H = Height
 D = Depth
 h = Installation height
 d = Useful depth
 L = Length
 HU = Standard height unit, 1 HU = 44.45 mm
 19" = 482.6 mm, (ideal for 19" components in acc. with DIN 41494)
 UP = Unit of packaging
 kg = Weight
Conversion: 1 inch = 25.4 mm
 1 pound = 453.6 g
 Replace 'x' with the number of your color choice

Flat screen mount

- Flat screen mount for flat screens with VESA bracket 75 and 100 mm
- With integrated cable routing
- **Supply schedule**
 - 1x flat screen mount
 - Type E, F, G with accompanying height compensation plate
 - Mounting material
- **How supplied**
 - Flat-packed kit
- **Type D-G**
 - For mounting on Knürr top screen mounting columns for custom depth and height adjustment
 - Freely selectable mounting position on tabletop thanks to practical clamping system
- **Material/Surface Type D-G**
 - Swivel arms: die-cast aluminum, powder-coated, RAL 9006 White aluminium
 - Adapter: steel panel, powder-coated, smooth, RAL 9006 White aluminium
 - Covers on screen arms: plastic, clear



Flat screen mount

CON20131

Model	Height compensation plate	Capacity	Order-no.	UP
Type D, for top screen mounting column (short)		6 kg	01.316.250.9	1 unit
Type E, for top screen mounting column (180 mm)	•	6 kg	01.316.251.9	1 unit
Type F, for top screen mounting column (240 mm)	•	6 kg	01.316.252.9	1 unit
Type G, for top screen mounting column (2x180 mm)	•	6 kg	01.316.253.9	1 unit
Single connecting piece			01.316.224.9	1 unit
Double connecting piece			01.316.227.9	1 unit
Top screen mounting column with clamp system (H400)			01.316.231.9	1 unit
op screen mounting column with clamp system (H700)			01.316.232.9	1 unit
Top screen mounting column with screw fitting (H400)			01.316.233.9	1 unit
Top screen mounting column with screw fitting (H700)			01.316.234.9	1 unit



Pipe bracket with clamp mount

DAC20164

Load matrix for top screen mounting columns

Maximum weight per screen in kg	Type D (short)	Type E (180 mm)	Type F (250mm)	Type G (360mm)
H400 1x single adapter	6 kg	6 kg	6 kg	6 kg
H400 1x double adapter	4 kg	4 kg	4 kg	4 kg
H700 2x single adapter	6 kg	5 kg	4 kg	-

Caution: Pipe bracket at a height of 700 mm are generally not approved for use with double connecting pieces!

„-“ = combination not approved



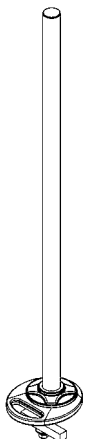
Single connecting piece

KON20086



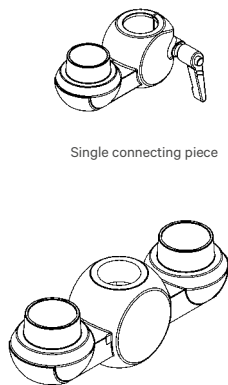
Double connecting piece

ERG00042



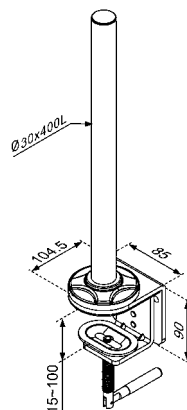
ACC20029

Pipe bracket for screw fitting



Single connecting piece

Double connecting piece



Pipe bracket with clamp mount

• Knürr Elicon®
Classic 14

• Knürr Elicon®
Accessories 22

Knürr Elicon®
Strong points

- **Future-proof modular design**
 - Expand your existing table combinations, modify your current installation or supplement it with new accessories. The modular design and multi-functional T-grooves give you all the options for future upgrades.
- **Perfect ergonomics**
 - Freely selectable working height in 20 mm increments (can be changed retroactively), great ergonomics guaranteed.
- **Convenient cable management**
 - Spacious horizontal cable ducts with convenient access from above via sliding sections. Routing through vertical cable troughs via detachable covers on the inside and outside of the side sections.
- **Providing electricity**
 - Cable troughs and crosspieces are equipped with a cap extrusion for easy mounting and attachment of socket strips and installation components.
- **Flat-packed kit**
 - Preassembled modules are supplied as a flat-packed kit. This saves freight space and reduces time and space required for assembly.
- **Easy assembly**
 - Screw connections facilitate quick assembly. Simple assembly instructions describe the process.
- **Different working surface depths**
 - Working surface depths from 700 mm to 1000 mm (in 100 mm increments) allow for custom room planning in accordance with your requirements.
- **Maximum stability**
 - More than 20 years of proven stability of Elicon extruded aluminum profiles and die-cast stabilizers in conjunction with sheet steel make this system a reliable and stable choice.





CON20105



CON20103



CON20104



CON20107



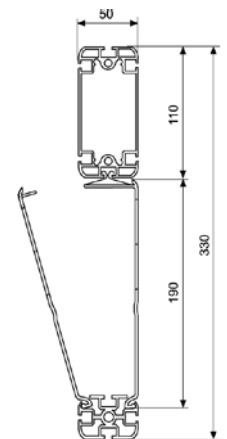
CON20106

**Knürr Elicon®
Connector Side Panels/Closing Side Panels**

- **Connector/closing side panels**
 - Vertical cable routing in the spacious cable duct
 - Sheet steel cable duct covers with hinge function for easy cabling
 - Mounted superstructures (rear), add-on levels, and other components
 - Mounting option for additional foot stabilizer at the rear to increase stability with add-ons
 - Preassembled lock strips for simple and secure worktop mounting (680-760 mm, increment 20 mm). Any work height can be set at any time simply by turning a screw
- **Connector Side Panels**
 - Segmented cable duct cover on the outside and inside
- **Closing Side Panels**
 - Full-length cable duct cover on the outside
 - Segmented cable duct cover on the inside
- **Variants**
 - Type 1**
 - Side panel with short stabilizer for worktops with depth 700 mm
 - Type 2**
 - Side panel with long stabilizer for worktops with depths 800/900/1000 mm
- **Material/finish**
 - Extruded aluminum with die cast aluminum stabilizer and head piece, antistatic powder-coated texture
 - Cable duct cover: sheet steel, rolled, antistatic powder-coated texture
- **Color combination**
 - Final digit of order number .2:**
 - Metal parts: RAL 7035 light grey
 - Design elements: RAL 5003 sapphire blue
 - Final digit of order number .9:**
 - Metal parts and design elements: RAL 7021 dark grey
- **How supplied**
 - Preassembled modules



CON20105



CON00065

Knürr Elicon® Connector Side Panels					
W	H	D	Model	Order-no.	UP
760	650		Type 1	04.252.150.x	1 unit
760	800		Type 2	04.252.151.x	1 unit
1250	800		Typ 2	04.252.155.x	1 unit
1656	800		Type 2	04.253.151.x	1 unit
2064	800		Type 2	04.253.152.x	1 unit

Knürr Elicon® Closing Side Panels					
W	H	D	Model	Order-no.	UP
760	650		Type 1	04.252.160.x	1 unit
760	800		Type 2	04.252.161.x	1 unit
1250	800		Typ 2	04.252.165.x	1 unit
1656	800		Type 2	04.253.161.x	1 unit
2064	800		Type 2	04.253.162.x	1 unit

**Knürr Elicon® Side Piece Cover, Full-Length
Optional for external side piece**

- **Material/Finish**
 - Sheet steel, rolled, antistatic powder-coat textured
- **Colour combination**
 - Final digit of order number .1:**
 - RAL 7035 light-grey
 - Final digit of order number .9:**
 - RAL 7021 dark-grey
- **Supply schedule**
 - 1 Side piece

W	H	D	Order-no.	UP
760			04.250.362.x	1 unit
1250			04.250.367.x	1 unit
1656			04.250.364.x	1 unit
2064			04.250.365.x	1 unit

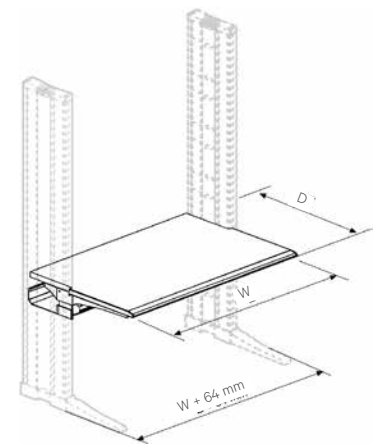


CON20107

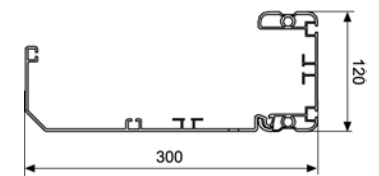
Knürr Elicon® Working Level

- Working level designed as sliding section for convenient access to the horizontal cable duct
 - The working level can be mounted at any height between two side panels and can also be varied in the height at any time
 - Worktop (30 mm) with ergonomically shaped front edge
 - Spacious horizontal cable duct, can be accessed via sliding worktop and folding mechanism
 - Cable duct with integrated C-rail for mounting installation components and mounting slot for general accessories
- Material / Finish**
 - Crosspiece: extruded aluminium, antistatic, powder-coated texture
 - Support arms: sheet steel, antistatic powder-coated texture
 - Worktop: three layer particle board, FP/Y E1 version, fire protection class B2
 - Worktop cover: high pressure plastic laminate
 - Cable duct, horizontal: sheet steel, rolled, antistatic, powder-coated texture
 - Colour combination**
 - Final digit of order number .1:**
 - Worktop: light-grey
 - Metal parts: RAL 7035 light-grey
 - Final digit of order number .5:**
 - Worktop: beech finish
 - Metal parts: RAL 7021 dark-grey
 - Load rating**
 - 1500 N (static surface load)
 - Standards**
 - DIN 68761 for worktop
 - EN 438 HGS for high pressure plastic laminate
 - EN 438 class HGS for coating material
 - Supply schedule**
 - 1 Worktop
 - 1 Crosspiece
 - 2 Desk stabilizers
 - 1 Cable duct
 - 1 Detailed mounting instructions
 - Mounting material
 - How supplied**
 - Preassembled modules

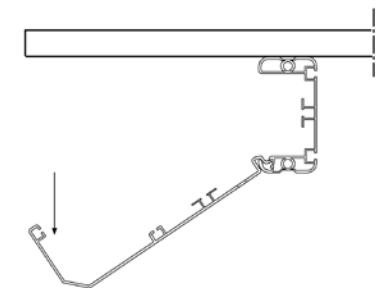
W	H	D	Order-no.	UP
800	700		04.252.100.x	1 unit
1200	700		04.252.101.x	1 unit
1600	700		04.252.102.x	1 unit
1800	700		04.252.103.x	1 unit
2000	700		04.252.104.x	1 unit
800	800		04.252.105.x	1 unit
1200	800		04.252.106.x	1 unit
1600	800		04.252.107.x	1 unit
1800	800		04.252.108.x	1 unit
2000	800		04.252.109.x	1 unit
800	900		04.252.110.x	1 unit
1200	900		04.252.111.x	1 unit
1600	900		04.252.112.x	1 unit
1800	900		04.252.113.x	1 unit
2000	900		04.252.114.x	1 unit
800	1000		04.252.115.x	1 unit
1200	1000		04.252.116.x	1 unit
1600	1000		04.252.117.x	1 unit
1800	1000		04.252.118.x	1 unit
2000	1000		04.252.119.x	1 unit



CON00057



CON00061



CON00062

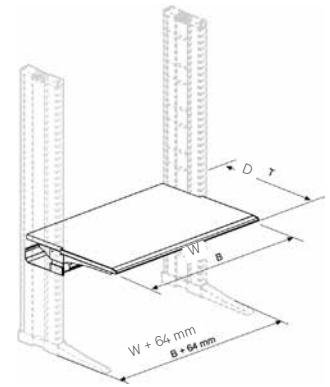
Dimensions in mm: W = Width
H = Height
D = Depth
h = Installation height
d = Useful depth
L = Length
HU = Standard height unit, 1 HU = 44.45 mm
19" = 482.6 mm, (ideal for 19" components in acc. with DIN 41494)
UP = Unit of packaging
kg = Weight

Conversion: 1 inch = 25.4 mm
1 pound = 453.6 g
Replace „x“ with the number of your color choice

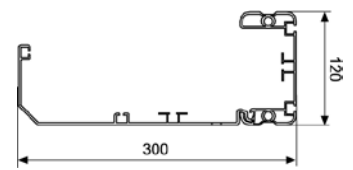
Knürr Elicon® Working Level ESD version

- ESD version for discharging electrostatic charges
 - Working level designed as sliding section for convenient access to the horizontal cable duct
 - The working level can be mounted at any height between two side panels and can be varied in the height at any time
 - Worktop (30 mm) with ergonomically shaped front edge
 - Spacious horizontal cable duct, can be accessed via sliding worktop and folding mechanism
 - Cable duct with integrated C-rail for mounting installation components and mounting slot for general accessories
- **Material / Finish**
 - Crosspiece: Extruded aluminium, antistatic, powder-coated texture
 - Support arm: sheet steel, antistatic powder-coated texture
 - Worktop: three layer particle board, FP/Y E1 version, fire protection class B2
 - Worktop cover: high pressure plastic laminate
 - Cable duct, horizontal: sheet steel, rolled, antistatic, powder-coated texture
- **Colours**
 - Worktop: light-grey
 - Metal parts: RAL 7035 light-grey
- **Load rating**
 - 1500 N (static surface load)
- **Standards**
 - DIN 68761 for worktop
 - EN 438 HGS class for high pressure plastic laminate
 - IEC 61340 electrostatics
- **Supply schedule**
 - 1 Worktop
 - 1 Crosspiece
 - 2 Desk stabilizers
 - 1 Cable duct
 - 1 Detailed mounting instructions
 - Mounting material
- **How supplied**
 - Pre-assembled modules

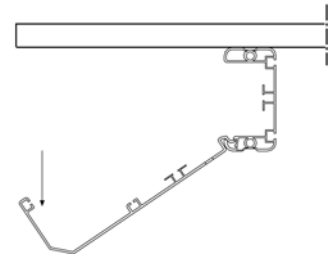
W	H	D	ESD	Order-no.	UP
800	900	•		04.272.110.1	1 unit
1200	900	•		04.272.111.1	1 unit
1600	900	•		04.272.112.1	1 unit
1800	900	•		04.272.113.1	1 unit
2000	900	•		04.272.114.1	1 unit



CON00057



CON00061

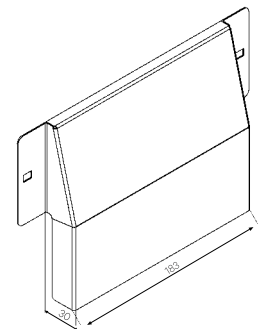


CON00062

Base Routing Plate

- **Material / Finish**
 - Sheet steel, powder-coated texture
 - **Colour**
 - **Final digit of order number .1:**
 - RAL 7035 light grey
 - **Final digit of order number .9:**
 - RAL 7021 dark grey
- **Supply schedule**
 - 1 base routing plate
 - 2 quick connectors
- **Note**
 - Serves as cable cover

Order-no.	UP
04.252.604.x	1 unit



CON20087

Dimensions in mm: W = Width
H = Height
D = Depth
h = Installation height
d = Useful depth
L = Length

HU = Standard height unit, 1 HU = 44.45 mm
19" = 482.6 mm, (ideal for 19" components in acc. with DIN 41494)

UP = Unit of packaging
kg = Weight

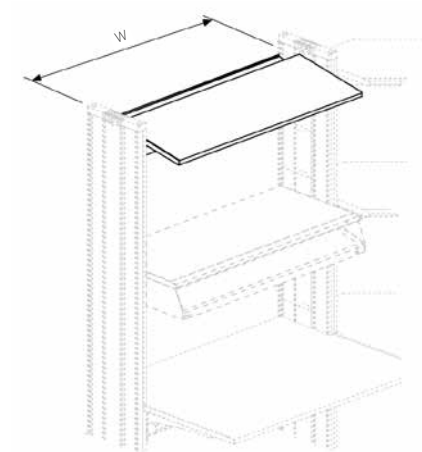
Conversion: 1 inch = 25.4 mm
1 pound = 453.6 g

Replace 'x' with the number of your color choice

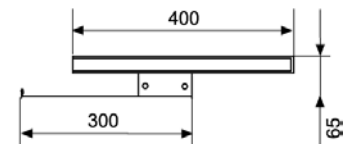
Knürr Elicon® Superstructure Level Standard

- For utilizing the area above the worktop as storage and functional surface with additional cabling option
 - Worktop height easily adjustable
 - Cable duct integrated in the crosspiece
 - Tilttable 0–10°
 - Worktop: 30 mm
- Material / Finish**
- Superstructure worktop: three layer particle board, FP/Y E1 version, fire protection class B2, melamine coated (directly coated) edge banding, ABS 3mm fine textured, matt
 - Crosspiece: extruded aluminium, antistatic, powder-coated texture
 - Cable duct, horizontal: sheet steel, rolled, antistatic powder-coated texture
- Colour combination**
- Final digit of order number .1:**
- Superstructure worktop: light-grey
 - Metal parts: RAL 7035 light-grey
- Final digit of order number .5:**
- Superstructure worktop: beech finish
 - Metal parts: RAL 7021 dark-grey
- **Load rating**
 - 750 N (static surface load)
 - **Standards**
 - DIN 68761 for superstructure worktop
 - DIN 68765 for direct coating
 - **Note**
 - Caution with use in tilted state; use edge strip to prevent sliding
 - **Supply schedule**
 - 1 Superstructure worktop
 - 1 Crosspiece
 - Mounting material
 - **How supplied**
 - Pre-assembled modules

W	H	D	Model	Order-no.	UP
800		400	Standard	04.258.015.x	1 unit
1200		400	Standard	04.258.016.x	1 unit
1600		400	Standard	04.258.017.x	1 unit
1800		400	Standard	04.258.018.x	1 unit
2000		400	Standard	04.258.019.x	1 unit



CON00063

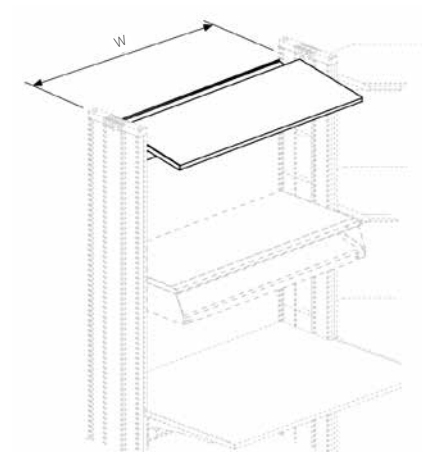


CON00075

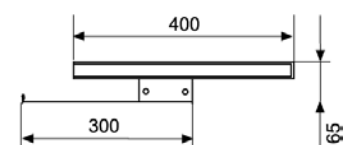
Knürr Elicon® Superstructure Level Standard, ESD version

- Technical Details as shown above, but:
- ESD version for discharging electrostatic charges

W	H	D	ESD	Model	Order-no.	UP
800		400	•	Standard	04.278.015.x	1 unit
1200		400	•	Standard	04.278.016.x	1 unit
1600		400	•	Standard	04.278.017.x	1 unit
1800		400	•	Standard	04.278.018.x	1 unit
2000		400	•	Standard	04.278.019.x	1 unit



CON00063

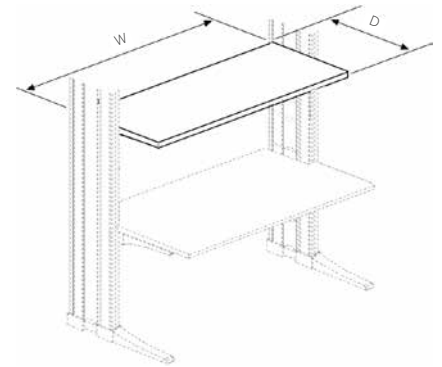


CON00075

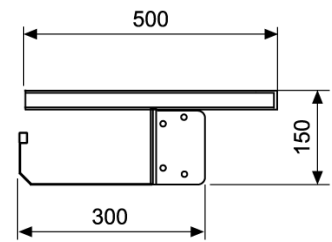
Knürr Elicon® Superstructure Level System

- Working level designed as sliding top for convenient access to the horizontal cable duct
 - For utilizing the space above the worktop as storage
 - Stable crosspiece with spacious, folding, and consequently easily accessible cable duct
 - Easy integration of system components for perfect electricity provision with C-rails and mounting slots
 - Worktop height easily adjustable
 - Can be fitted at any time with keyboard shelves
 - Worktop thickness: 30 mm
- **Material / Finish**
 - Superstructure worktop: three layer particle board, FP/Y E1 version, fire protection class B2, melamine coated (directly coated) edge banding, ABS 3mm fine textured, matt
 - Crosspiece: extruded aluminium, antistatic, powder-coated texture
 - Support arms: sheet steel, antistatic powder-coated texture
 - Cable duct, horizontal: sheet steel, rolled, antistatic powder-coated texture

- **Colour combination**
 - Final digit of order number .1:**
 - Superstructure worktop: light-grey
 - Metal parts: RAL 5003 sapphire blue
 - Final digit of order number .5:**
 - Superstructure worktop: beech finish
 - Metal parts: RAL 7021 dark-grey
- **Load rating**
 - 1500 N (static surface load)
- **Standards**
 - DIN 68761 for superstructure worktop
 - DIN 68765 for direct coating
- **Supply schedule**
 - 1 Superstructure
 - 2 Stabilizers
 - 1 Crosspiece
 - 1 Cable duct
 - Mounting material
- **How supplied**
 - Pre-assembled modules



CON00064



CON00037

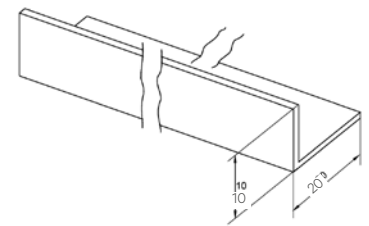
W	H	D	Order-no.	UP
800		500	04.258.025.x	1 unit
1200		500	04.258.026.x	1 unit
1600		500	04.258.027.x	1 unit
1800		500	04.258.028.x	1 unit
2000		500	04.258.029.x	1 unit

Edge Strip

- Prevents equipment set up on the tilted structural rack from sliding
- Suitable for Knürr Dacobas® and Knürr Elicon®

- **Supply schedule**
 - 1 edge strip
 - Mounting material

W	w	Order-no.	UP
800	730	04.258.150.1	1 unit
1200	1130	04.258.151.1	1 unit
1600	1530	04.258.152.1	1 unit
1800	1730	04.258.153.1	1 unit
2000	1930	04.258.154.1	1 unit



RAP00057

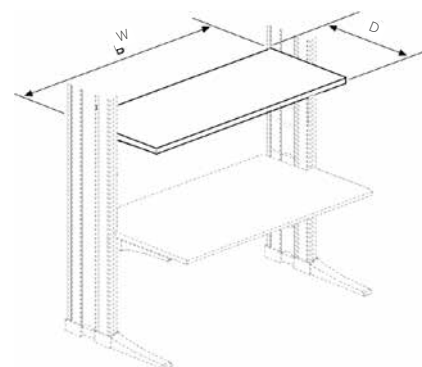
Dimensions in mm: W = Width
H = Height
D = Depth
h = Installation height
d = Useful depth
L = Length
HU = Standard height unit, 1 HU = 44.45 mm
19" = 482.6 mm, (ideal for 19" components in acc. with DIN 41494)
UP = Unit of packaging
kg = Weight

Conversion: 1 inch = 25.4 mm
1 pound = 453.6 g
Replace „x“ with the number of your color choice

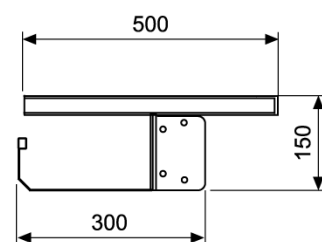
Knürr Elicon® Superstructure Level System, ESD version

- ESD version for discharging electrostatic charges
 - Working level designed as sliding top for convenient access to the horizontal cable duct
 - For utilizing the area above the worktop as storage and functional surface with additional cabling option
 - Stable crosspiece with spacious, folding, and consequently easily accessible cable duct
 - Easy integration of system components for perfect electricity provision with C-rails and mounting slots
 - Worktop height easily adjustable
 - Can be fitted at any time with keyboard shelves
 - Worktop thickness: 30 mm
- **Material / Finish**
 - Superstructure worktop: three layer particle board, FP/Y E1 version, fire protection class B2, melamine coated (directly coated) edge banding, ABS 3mm thick fine textured, matt
 - Crosspiece: extruded aluminium, antistatic, powder-coated texture
 - Support arms: sheet steel, antistatic powder-coated texture
 - Cable duct, horizontal: sheet steel, rolled, antistatic, powder-coated texture

- **Colours**
 - Superstructure worktop: light-grey
 - Metal parts: RAL 7035 light-grey
- **Load rating**
 - 1500 N (static surface load)
- **Standards**
 - DIN 68761 for superstructure worktop
 - DIN 68765 for direct coating
 - IEC 61340 electrostatics
- **Supply schedule**
 - 1 Superstructure
 - 2 Stabilizers
 - 1 Crosspiece
 - 1 Cable duct
 - Mounting material
- **How supplied**
 - Pre-assembled modules



CON00064



CON00037

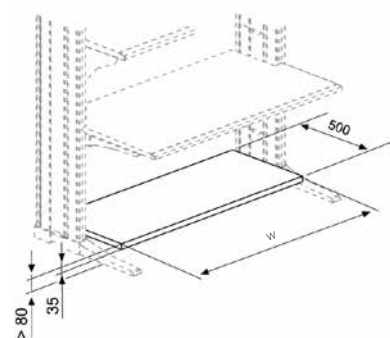
W	H	D	ESD	Order-no.	UP
800		500	•	04.278.025.1	1 unit
1200		500	•	04.278.026.1	1 unit
1600		500	•	04.278.027.1	1 unit
1800		500	•	04.278.028.1	1 unit
2000		500	•	04.278.029.1	1 unit

Knürr Elicon® Computer Platform Fixed

- Low space requirement in the height
- Mounting height variable
- Can be upgraded at any time
- Easy mounting
- Can be mounted on the front or rear

- **Material / Finish**
 - Sheet steel with reinforced extrusions on the underside, antistatic powder-coated texture
- **Colours**
 - **Final digit of order number .1:**
 - RAL 7035 light-grey
 - **Final digit of order number .9:**
 - RAL7021 dark-grey

- **Load rating**
 - 1500 N (static surface load)
- **Note**
 - The lowest mounting position is 80 mm (min. floor clearance)
- **Supply schedule**
 - 1 Platform
 - Mounting material
- **How supplied**
 - Flat-packed kit



CON00055

W	H	D	w	Model	Order-no.	UP
800		500	750	Fixed	04.258.074.x	1 unit
1200		500	1150	Fixed	04.258.075.x	1 unit
1600		500	1550	Fixed	04.258.076.x	1 unit
1800		500	1750	Fixed	04.258.077.x	1 unit
2000		500	1950	Fixed	04.258.078.x	1 unit

Knürr Elicon® Suspension Cabinet

- For mounting at any height between the side panels
- The sliding doors on smooth-running plastic guide can be locked with plunger cylinder lock

Material / Finish

- Main unit and sliding doors: three layer particle board, FP/Y E1 version, fire protection class B2, melamine coated (directly coated) edge banding, ABS 3mm fine textured, matt
- Mounting bracket: sheet steel, antistatic powder-coated texture

Colour combination

Final digit of order number .1:

- Main unit, doors and handles: RAL 7035 light-grey

Final digit of order number .5:

- Main unit and handles: RAL 7021 dark-grey
- Doors: beech finish

Load rating

- 600 N (static surface load)

Standards

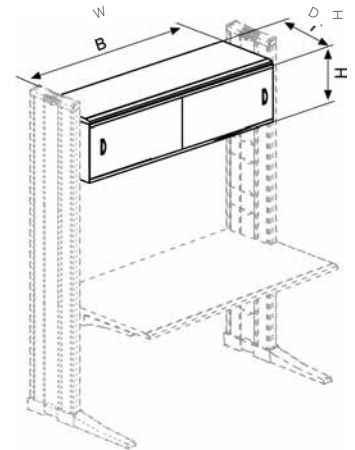
- DIN 68761 for main unit and sliding doors
- DIN 68765 for direct coating

Supply schedule

- 1 Suspension cabinet complete with mounting bracket
- Mounting material

How supplied

- Pre-assembled modules



CON00047

H	D	W	w	h	d	Order-no.	UP
400	420	752	2x340	350	350	04.260.000.x	1 unit
400	420	1152	2x540	350	350	04.260.001.x	1 unit
400	420	1552	2x740	350	350	04.260.002.x	1 unit

Knürr Elicon® Add-On Level Fixed

- For later extension of the worktop depth
- Height variable for exact adjustment to operator and hardware

Material / Finish

- Superstructure worktop: three layer particle board, FP/Y E1 version, fire protection class B2
- Worktop coating: high pressure plastic laminate
- Support bracket: sheet steel, holed, antistatic powder-coated texture

Colour combination

Final digit of order number .2:

- Add-on shelf: light-grey
- Support bracket: RAL 5003 sapphire blue
- Metal parts: RAL 7035 light-grey

Final digit of order number .5:

- Add-on shelf: beech finish
- Metal parts and support bracket: RAL 7021 dark-grey

Load rating

- 750 N (static surface load)

Standards

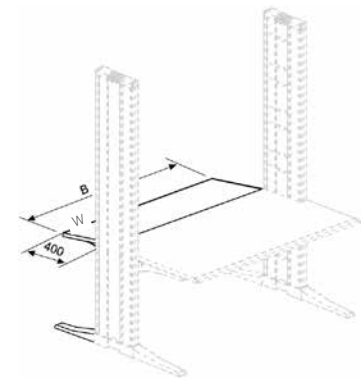
- DIN 68761 for worktop
- EN 438 HGS class for high pressure plastic laminate

Supply schedule

- 1 Add-on shelf
- 2 Support brackets
- 2 Foot stabilizers, short
- Mounting material

How supplied

- Flat-packed kit



CON00034

W	H	D	Order-no.	UP
800		400	04.258.080.x	1 unit
1200		400	04.258.081.x	1 unit
1600		400	04.258.082.x	1 unit
1800		400	04.258.083.x	1 unit
2000		400	04.258.084.x	1 unit

Dimensions in mm: W = Width
H = Height
D = Depth
h = Installation height
d = Useful depth
L = Length
HU = Standard height unit, 1 HU = 44.45 mm
19" = 482.6 mm, (ideal for 19" components in acc. with DIN 41494)
UP = Unit of packaging
kg = Weight

Conversion: 1 inch = 25.4 mm
1 pound = 453.6 g
Replace „x“ with the number of your color choice

Knürr Elicon® - Perforated Rear Panels

- As privacy screen for foot area and above the working surface
- Can be attached and removed without tools
- Flexible combinations possible

Material / Finish

- Steel panel, powder-coated

Color combination

Last digit of Order-No. 1:

- RAL 7035 Light gray

Last digit of Order-No. 9:

- RAL 7021 Black gray

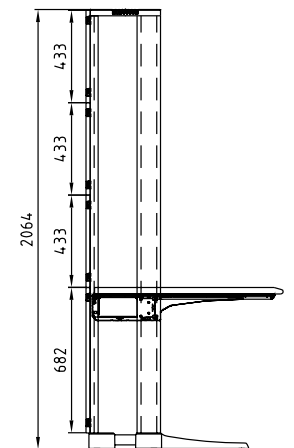
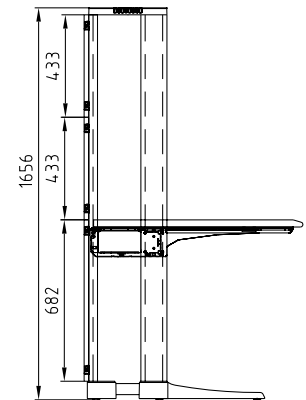
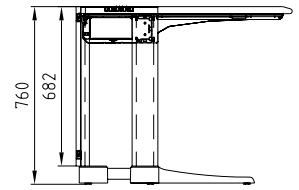
Supply schedule

- 1 rear panel

Note

- Order 1 mounting set per Elicon side section Order-No. 04.258.109.9 for every Elicon rear panel

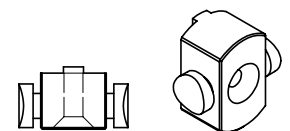
W	H	Variant	Order-no.	UP
800	682	Elicon rear panel, bottom	04.258.110.x	1 unit
1000	682	Elicon rear panel, bottom	04.258.111.x	1 unit
1200	682	Elicon rear panel, bottom	04.258.112.x	1 unit
1400	682	Elicon rear panel, bottom	04.258.113.x	1 unit
1600	682	Elicon rear panel, bottom	04.258.114.x	1 unit
1800	682	Elicon rear panel, bottom	04.258.115.x	1 unit
2000	682	Elicon rear panel, bottom	04.258.116.x	1 unit
800	433	Elicon rear panel, top	04.258.120.x	1 unit
1000	433	Elicon rear panel, top	04.258.121.x	1 unit
1200	433	Elicon rear panel, top	04.258.122.x	1 unit
1400	433	Elicon rear panel, top	04.258.123.x	1 unit
1600	433	Elicon rear panel, top	04.258.124.x	1 unit
1800	433	Elicon rear panel, top	04.258.125.x	1 unit
2000	433	Elicon rear panel, top	04.258.126.x	1 unit
Mounting set (2x suspending blocks)			04.258.109.9	1 set



CON20132



CON20109



Suspending block for rear panel

CON20133

Knürr Elicon® Add-On Level
Height adjustable and tiltable

- Can be upgraded at any time
- Height variable for exact adjustment to operator and hardware
- Extremely stable construction with integrated cable trough
- Useful depth: 590 mm
- Can be delivered for desk width, 800–2000 mm
- Variable tilt adjustment without tools at increments: 0°/7.5°/15°
- Secure cable management through spacious cable trough and cable ports in the shelf

• **Material / Finish**

- Superstructure worktop: three layer particle board, FP/Y E1 version, fire protection class B2
- Worktop coating: high pressure plastic laminate
- Support bracket: sheet steel, holed, antistatic powder-coated texture
- Crosspiece with integrated cable trough: sheet steel, antistatic powder-coated texture

• **Colour combination**

Final digit of order number .2:

- Superstructure: light-grey
- Support bracket: RAL 5003 sapphire blue
- Metal parts: RAL 7035 light-grey

Final digit of order number .5:

- Superstructure: beech finish
- Metal parts and support bracket: RAL 7021 dark-grey

• **Load rating**

- 1500 N (static surface load)

• **Standards**

- DIN 68761 for worktop
- EN 438 HGS class for high pressure plastic laminate

• **Attention!**

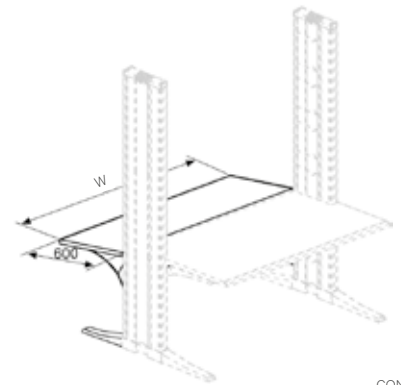
- With tilted use of monitors and other components set up on the add-on level, secure against sliding by using an anti-slide restrainer, for example.

• **Supply schedule**

- 1 Complete add-on level, pre-assembled
- 2 Foot stabilizers, short
- Mounting material

• **How supplied**

- Flat-packed kit



CON00035

W	H	D	Order-no.	UP
800		600	04.258.069.x	1 unit
1200		600	04.258.070.x	1 unit
1600		600	04.258.071.x	1 unit
1800		600	04.258.072.x	1 unit
2000		600	04.258.073.x	1 unit

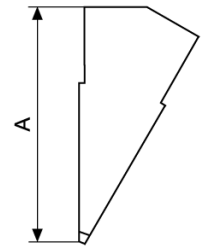
Dimensions in mm: W = Width
H = Height
D = Depth
h = Installation height
d = Useful depth
L = Length
HU = Standard height unit, 1 HU = 44.45 mm
19" = 482.6 mm, (ideal for 19" components in acc. with DIN 41494)
UP = Unit of packaging
kg = Weight

Conversion: 1 inch = 25.4 mm
1 pound = 453.6 g
Replace „x“ with the number of your color choice

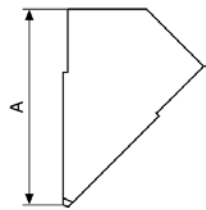
Knürr Elicon® System Components, Corners

- The ergonomically shaped front edge ensures optimal working conditions
 - Height variable for exact adjustment to operator and hardware
 - With support arms for direct connection to the side panels
 - Spacious horizontal cable duct, can be accessed via removeable corner panel and folding mechanism
 - Cable duct with integrated C-rail for mounting installation components and T-slot for mounting general accessories
 - With side panels which can also be used as workstation end points
- **Material / Finish**
 - Crosspiece: extruded aluminium, antistatic, powder-coated texture
 - Support arms: sheet steel, antistatic powder-coated texture
 - Worktop: three layer particle board, FP/Y E1 version, fire protection class B2
 - Worktop coating: high pressure plastic laminate
 - Cable duct, horizontal: sheet steel, rolled, antistatic powder-coated texture
 - **Colour combination**
 - **Final digit of order number .1:**
 - Worktop: light-grey
 - Metal parts: RAL 7035 light-grey
 - **Final digit of order number .5:**
 - Worktop: beech finish
 - Metal parts: RAL 7021 dark-grey
 - **Load rating**
 - 1500 N (static surface load)
 - **Standards**
 - DIN 68761 for worktop
 - EN 438 HGS class for high pressure plastic laminate
 - **Supply schedule**
 - 1 Corner panel
 - 1 Worktop support complete with crosspiece
 - 2 Stabilizers and cable duct
 - Mounting material
 - **How supplied**
 - Pre-assembled modules

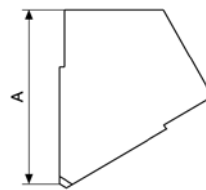
A	Model	Order-no.	UP
700	30°	04.252.510.x	1 unit
800	30°	04.252.500.x	1 unit
900	30°	04.252.501.x	1 unit
1000	30°	04.252.502.x	1 unit
700	45°	04.252.511.x	1 unit
800	45°	04.252.503.x	1 unit
900	45°	04.252.504.x	1 unit
1000	45°	04.252.505.x	1 unit
700	60°	04.252.512.x	1 unit
800	60°	04.252.506.x	1 unit
900	60°	04.252.507.x	1 unit
1000	60°	04.252.508.x	1 unit
700	90°, angled	04.252.550.x	1 unit
800	90°, angled	04.252.551.x	1 unit
900	90°, angled	04.252.552.x	1 unit
1000	90°, angled	04.252.553.x	1 unit



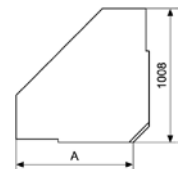
CON00023



CON00024



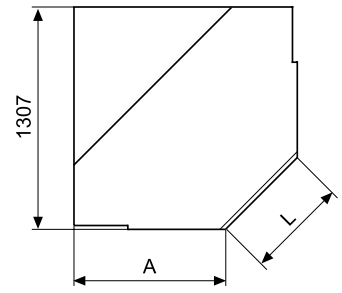
CON00025



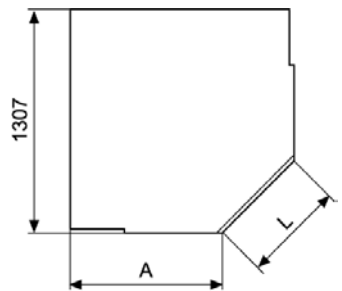
CON00030

Knürr Elicon® Trapezoid Corner

- ESD version for discharging electrostatic charges
 - The ergonomically formed front edge ensures optimal working conditions
 - Height variable for exact adjustment to operator and hardware
 - With support arms for direct connection to the side panels
 - Spacious horizontal cable duct, can be accessed via removeable corner panel and folding mechanism
 - Cable duct with integrated C-rail for mounting installation components and T-slot for mounting general accessories
 - With side panels which can also be used as workstation end points
- **Material / Finish**
 - Crosspiece: extruded aluminium, antistatic, powder-coated texture
 - Support arms: sheet steel, antistatic powder-coated texture
 - Worktop: three layer particle board, FP/Y E1 version, fire protection class B2
 - Worktop coating: high pressure plastic laminate
 - Cable duct, horizontal: sheet steel, rolled, antistatic powder-coated texture
 - **Colour combination**
 - Final digit of order number .1:**
 - Worktop: light-grey
 - Metal parts: RAL 7035 light-grey
 - Final digit of order number .5:**
 - Worktop: beech finish
 - Metal parts: RAL 7021 dark-grey
 - **Load rating**
 - 1500 N (static surface load)
 - **Standards**
 - ESD version
 - IEC 61340 electrostatics
 - DIN 68761 for worktop
 - EN 438 HGS class for high pressure plastic laminate
 - **Supply schedule**
 - 1 Corner panel
 - 1 Worktop support complete with crosspiece
 - 2 Stabilizers and cable duct
 - 1 Support foot, can be set for desk heights, 680-760
 - Mounting material
 - **How supplied**
 - Pre-assembled modules



CON00032

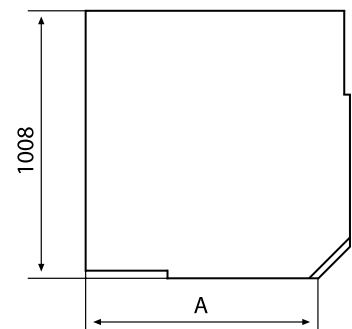


CON00033

A	ESD	L	Model	Order-no.	UP
700		880	Trapezoid corner	04.252.558.x	1 unit
800		740	Trapezoid corner	04.252.559.x	1 unit
900		600	Trapezoid corner	04.252.560.x	1 unit
1000		460	Trapezoid corner	04.252.561.x	1 unit
900	•	600	Trapezoid corner	04.272.560.1	1 unit
700		880	Trapezoid wall corner	04.252.562.x	1 unit
800		740	Trapezoid wall corner	04.252.563.x	1 unit
900		600	Trapezoid wall corner	04.252.564.x	1 unit
1000		460	Trapezoid wall corner	04.252.565.x	1 unit

Knürr Elicon® Wall Corner Units

A	ESD	Model	Order-no.	UP
700		90°, wall	04.252.554.x	1 unit
800		90°, wall	04.252.555.x	1 unit
900		90°, wall	04.252.556.x	1 unit
1000		90°, wall	04.252.557.x	1 unit
900	•	90°, wall	04.272.556.1	1 unit

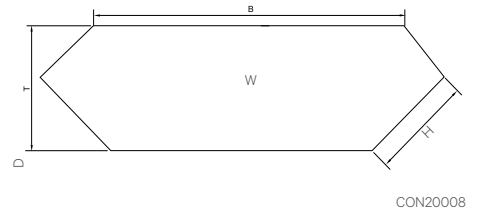
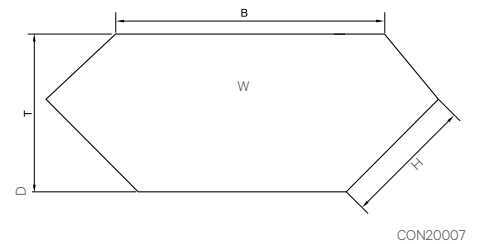


CON00031

Knürr Elicon® Superstructure Level, Corner

- ESD version for discharging electrostatic charges
 - For utilizing the area above the worktop as storage and functional surface with additional cabling option
 - Worktop height easily adjustable
 - Cable duct integrated in the crosspiece
- **Material / Finish**
 - Superstructure worktop: three layer particle board, FP/Y E1 version, fire protection class B2, melamine coated (directly coated) veneer, ABS 3mm, fine textured, matt
 - Crosspiece: extruded aluminium, antistatic, powder-coated texture
 - Cable duct, horizontal: sheet steel, rolled, antistatic powder-coated texture
 - **Colour combination**
 - Final digit of order number .1:**
 - Superstructure worktop: light-grey
 - Metal parts: RAL 7035 light-grey
 - Final digit of order number .5:**
 - Superstructure worktop: beech finish
 - Metal parts: RAL 7021 dark-grey

- **Load rating**
 - 750 N (static surface load)
- **Standards**
 - ESD version
 - IEC 61340 electrostatics
 - DIN 68761 for superstructure worktop
 - DIN 68765 for direct coating
- **Supply schedule**
 - 1 Superstructure worktop
 - 1 Crosspiece
 - Mounting material
- **How supplied**
 - Pre-assembled modules



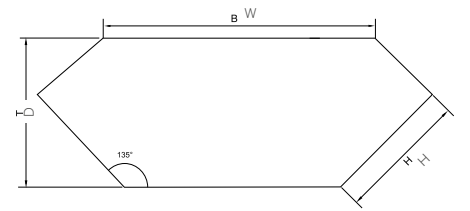
W	H	D	ESD	Model	Order-no.	UP
824	400	495		90° angled and wall	04.258.032.x	1 unit
824	400	495	•	90° angled and wall	04.278.032.1	1 unit
1247	400	495		Standard, trapezoid and wall	04.258.033.x	1 unit
1247	400	495	•	Standard, trapezoid and wall	04.278.033.1	1 unit

Dimensions in mm: W = Width
H = Height
D = Depth
h = Installation height
d = Useful depth
L = Length
HU = Standard height unit, 1 HU = 44.45 mm
19" = 482.6 mm, (ideal for 19" components in acc. with DIN 41494)
UP = Unit of packaging
kg = Weight

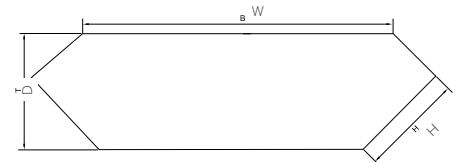
Conversion: 1 inch = 25.4 mm
1 pound = 453.6 g
Replace „x“ with the number of your color choice

Knürr Elicon® Superstructure Level, Corner

- ESD version for discharging electrostatic charges
 - For utilizing the area above the worktop as storage and functional surface with additional cabling option
 - Stable crosspiece with spacious, folding, and consequently easily accessible cable duct
 - Easy integration of system components for perfect electricity provision with C-rails and mounting slots
 - Worktop height easily adjustable
 - Can be fitted at any time with keyboard shelves
- **Material / Finish**
 - Superstructure worktop: three layer particle board, FP/Y E1 version, fire protection class B2, melamine coated (directly coated) veneer, ABS 3mm thick, fine textured, matt
 - Crosspiece: extruded aluminium, antistatic, powder-coated texture
 - Support arms: sheet steel, antistatic powder-coated texture
 - Cable duct, horizontal: sheet steel, rolled, antistatic powder-coated texture
 - **Colour combination**
 - **Final digit of order number .1:**
 - Superstructure worktop: light-grey
 - Metal parts: RAL 5003 light-grey
 - **Final digit of order number .5:**
 - Superstructure worktop: beech finish
 - Metal parts: RAL 7021 dark-grey
 - **Load rating**
 - 1500 N (static surface load)
 - **Standards**
 - ESD version
 - IEC 61340 electrostatics
 - DIN 68761 for superstructure worktop
 - DIN 68765 for direct coating
 - **Supply schedule**
 - 1 Superstructure worktop
 - 2 Stabilizers
 - 1 Crosspiece
 - 1 Cable duct
 - Mounting material
 - **How supplied**
 - Preassembled modules



CON20009

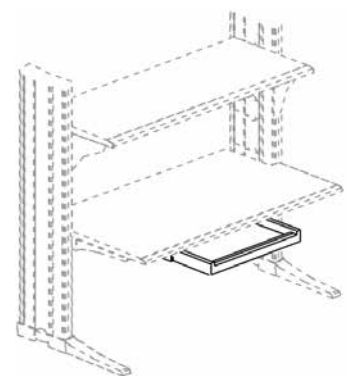


CON00010

W	H	D	ESD	Model	Order-no.	UP
907	500	595		90° angled and wall	04.258.036.x	1 unit
907	500	595	•	90° angled and wall	04.278.036.1	1 unit
1330	500	595		Trapezoid and wall	04.258.037.x	1 unit
1330	500	595	•	Trapezoid and wall	04.278.037.1	1 unit

Keyboard Drawer

- Creates space on your worktop
 - Legroom is always granted
 - Keyboard drawer latches in closed and extended position
 - Easy retrofit
- **Material / Finish**
 - Sheet steel, powder-coated
 - **Color**
 - RAL7035 Light grey
 - **Dimensions**
 - Width: 536 mm
 - Height: 56 mm
 - Depth: 276 mm
- **Max. usable dimensions**
 - Width: 500 mm
 - Height: 45 mm
 - Depth: 218 mm
 - **Supply schedule**
 - 1 Keyboard drawer
 - Mounting material
 - **How supplied**
 - pre-assembled

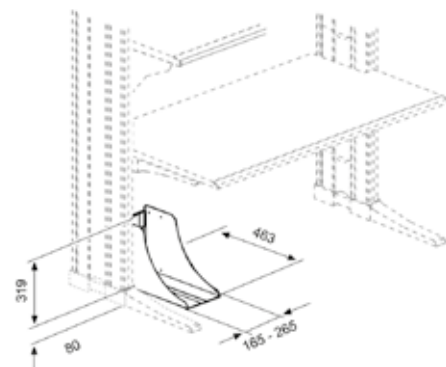


CON00051

Type	Order-no.	UP
Keyboard drawer	00.705.550.1	1 unit

Knürr Elicon® Computer Mounting Side

- Can be mounted on the left, right or both sides on the vertical extrusion (both inside and outside) at any height.
- Width adjustable: 165-265 mm
- **Material / Finish**
 - Sheet steel, antistatic powder-coated texture
- **Colour combination**
 - Final digit of order number .1:**
 - RAL 7035 light-grey
 - Final digit of order number .9:**
 - RAL 7021 dark-grey
- **Load rating**
 - 250 N (static surface load)
- **Note**
 - The lowest mounting position is 80 mm (min. floor clearance)
- **Supply schedule**
 - 1 Computer shelf
 - Mounting material
- **How supplied**
 - Flat-packed kit

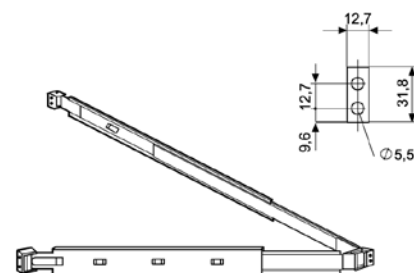


CON00054

W	H	D	Model	Order-no.	UP
				04.208.078.x	1 unit

Knürr Elicon® Cable Router

- For quick and easy mounting
- Guarantees a secure cable management with no sagging or kinks
- **Material / Finish**
 - Sheet steel, zinc passivated
- **Supply schedule**
 - 1 Hinged cable router
 - Mounting material
- **How supplied**
 - Flat-packed kit



TEL00162

W	H	D	Model	Order-no.	UP
				00.309.108.1	1 unit



ELI00345



ELI00344

Dimensions in mm: W = Width
H = Height
D = Depth
h = Installation height
d = Useful depth
L = Length
HU = Standard height unit, 1 HU = 44.45 mm
19" = 482.6 mm, (ideal for 19" components in acc. with DIN 41494)
UP = Unit of packaging
kg = Weight
Conversion: 1 inch = 25.4 mm
1 pound = 453.6 g
Replace 'x' with the number of your color choice

Knürr Elicon® PC Pedestal

- Bonded main unit
- With passive ventilation from the rear at the top
- Full glass door and lock at the front
- Stationary with leveling feet
- With cable routing set (80 mm diameter) at the rear top for cabling in the vertical cable duct
- **Material / Finish**
 - Main unit: Three layer particle board, FP/Y E 1 version, directly coated, fire protection class B2
 - Front door: Full glass door, EMC, 6 mm, clear glass

- **Color combination**
 - Final digit of order number .1:**
 - Main unit: Light gray
 - Door: Full glass door, EMC, 6 mm, clear glass
 - Final digit of order number .5:**
 - Main unit: Dark gray
 - Door: Full glass door, EMC, 6 mm, clear glass
- **Supply schedule**
 - 1 PC pedestal
 - Mounting material
- **How supplied**
 - Preassembled

W	H	D	w	h	d	Model	Order-no.	UP
363	700	875	312	566	825	Lock (left)	00.320.520.x	1 unit
363	700	875	312	566	835	Lock (right)	00.320.521.x	1 unit



CON20090

Smaract 19" Pedestal for Knürr Elicon®

- 19" Pedestal, installation height, 12 HU
- 19" T-slot extrusion for variable mounting of installation components
- Shortened bottom on the rear metal door
- Cover panel with cable port on the rear, top
- For components in accordance with IEC 297-3
- **Material**
 - Extruded aluminium
 - Corner connector, die-cast aluminium
 - Covers, powder-coated texture
 - Glass door: sheet steel with single safety glass panel
 - Metal door: sheet steel
- **Model**
 - IP 20
- **Space solution**
 - 82% of the basic surface can be used as space for installation and cable routing
- **Finish**
 - Basic frame: polished
 - Covers, front and rear doors, RAL 7035 light-grey

- **Tests**
 - Safety in accordance with EN 50298 and EN 60950
 - Protective conductor/earth in accordance with DIN VDE 0701-1
 - IP test in accordance with DIN EN 60529
- **Supply schedule**
 - 1 Basic frame
 - 2 Closed side panels
 - 1 Shortened rear door
 - 1 Cover panel with cable routing
 - 2 19" Aluminium vertical extrusions, at the front, with T-slot
 - 1 Earthing set
 - 1 Assembly kit
 - 1 Mounting instructions
- **Note**
 - 1 Crosspiece is required for installing the Smaract 19" pedestal for depth 900 mm
- **How supplied**
 - Fully assembled



CON20051



CON20050



CON20051



CON20052

W	H	D	HU	h	Model	Order-no.	UP
600	598	600	12	536	Without door	04.252.600.1	1 unit
600	598	600	12	536	With glass door	04.252.602.1	1 unit
600	598	600	12	536	With metal door	04.252.603.1	1 unit

Dimensions in mm: W = Width
 H = Height
 D = Depth
 h = Installation height
 d = Useful depth
 L = Length
 HU = Standard height unit, 1 HU = 44,45 mm
 19" = 482,6 mm, (ideal for 19" components in acc. with DIN 41494)
 UP = Unit of packaging
 kg = Weight
Conversion: 1 inch = 25,4 mm
 1 pound = 453,6 g
 Replace .x' with the number of your color choice

Crosspiece

- Material / Finish**
 - Sheet steel, powder-coated texture, RAL 7035
- Note**
 - 1 Crosspiece is required for installing the Smaract 19" pedestal in Elicon

W	Order-no.	UP
800	04.250.650.1	1 unit
1200	04.250.651.1	1 unit
1600	04.250.652.1	1 unit
1800	04.250.653.1	1 unit
2000	04.250.654.1	1 unit



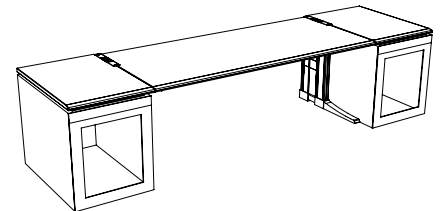
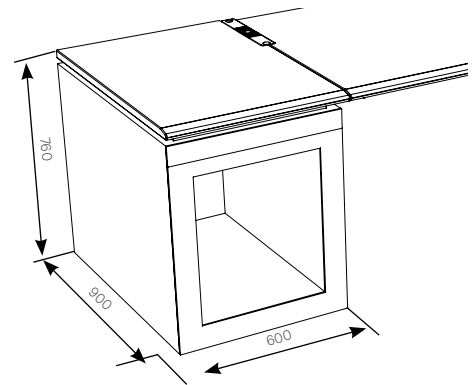
CON20053

Knürr Elicon® 19" Container 19" Accessories for technical workstation

- With side cable entry
 - Fully assembled
 - Adjustable support feet (0-25 mm)
 - Basic frame, polished
- Dimensions**
 - Depth: 900 mm
 - Chassis depth: 640 mm
 - Accessories from Miracel 19" rack, d=640 mm
- Colour combination**

Final digit of order number .2:

 - Sheet steel, powder-coated texture, RAL 7035 light-grey
 - Design elements: RAL 5003 sapphire blue
- Supply schedule**
 - 1 19" Container
 - 4 19-inch profile, T-groove
 - 1 decorative profile set, front (without front doors)
 - 1 rear panel
 - 2 side sections
- How supplied**
 - Assembled
- Note**
 - The 19" container cannot be supplied with standard mobile plinth



CON20134

W	H	HU	h	Model	Order-no.	UP
600	760-780	12	536	Container, right	01.330.015.x	1 unit
600	760-780	12	536	Container, left	01.330.016.x	1 unit
600	760-780	12	536	Container, centre	01.330.017.x	1 unit

Front Door, 12 HU For Elicon 19" container

- Glass door**
 - Sheet steel, 1.0 mm
 - Single safety glass panel, 4.0 mm, clear
- Sheet steel door**
 - Sheet steel, 0.75 mm
- Colour combination**

Final digit of order number .2

 - Sheet steel, powder-coated texture, RAL 7035 light-grey
 - Design elements, RAL 5003 sapphire blue
- Supply schedule**
 - 1 Glass or sheet steel door
 - 1 Design trim
 - Mounting material



ELI00350



ELI00351

W	H	HU	h	Model	Order-no.	UP
589		12	536	Glass door	01.130.661.x	1 unit
589		12	536	Steel door	01.130.559.x	1 unit

Knürr Elicon® Functional Rail Duo

- For hanging on organisational accessories and flat screen holders
- Suitable for Knürr Elicon® product line

Flat screens always represent the visual interface between the operator and the system technology. To ensure an ergonomic working posture, monitors must always be optimally adjusted to the viewer and, if necessary, be easy to change.

- **Functional rail for mounting between two vertical profiles**
 - A comprehensive range of accessories, including a monitor holder, workstation lights and storage solutions, make the functional rail a versatile mounting platform.

- **Finish**
 - RAL9006 white aluminium
- **Material/Finish**
 - Extruded aluminum profiles, antistatic powder-coated, smooth, RAL 9006, white aluminium
- **Supply schedule**
 - 1 Functional rail
 - Product-specific mounting material
- **How supplied**
 - Flat-packed kit



CON20135

W	Type	Model	Order-no.	UP
800	Duo	Knürr Elicon®	04.208.210.9	1 unit
1000	Duo	Knürr Elicon®	04.208.211.9	1 unit
1200	Duo	Knürr Elicon®	04.208.212.9	1 unit
1400	Duo	Knürr Elicon®	04.208.213.9	1 unit
1600	Duo	Knürr Elicon®	04.208.214.9	1 unit
1800	Duo	Knürr Elicon®	04.208.215.9	1 unit
2000	Duo	Knürr Elicon®	04.208.216.9	1 unit

Flat screen mount

- Flat screen mount for flat screens with VESA bracket 75 and 100 mm
- With integrated cable routing

- **Type D-G**
 - For mounting on Knürr Functional Rail Swivel arms for custom depth adjustment or height adjustment supported by gas pressure springs
 - Quick assembly adapter for mounting on functional rail
 - Freely selectable mounting position on horizontal functional rails

- **Material / Finish Type D-G**
 - Swivel arms: die-cast aluminum, powder-coated, RAL 9006 White aluminium
 - Adapter: steel panel, powder-coated, smooth, RAL 9006 White aluminium
 - Covers on screen arms: plastic, clear
- **Supply schedule**
 - 1x flat screen mount
 - Type E, F, G with accompanying height compensation plate
 - Mounting material
- **How supplied**
 - Flat-packed kit



Type D

CIC20031



Type E

CIC20032

Variant	Height compensation plate	Capacity	Order-no.	UP
Type D, short		12 Kg	01.316.210.9	1 unit
Type E, medium (180 mm)	•	10 Kg	01.316.211.9	1 unit
Type F, long (250 mm)	•	10 Kg	01.316.212.9	1 unit
Type G, double joint (180 + 250 mm)	•	8 Kg	01.316.213.9	1 unit



Type F

CIC20033



Type G

CIC20034

Dimensions in mm: W = Width
 H = Height
 D = Depth
 h = Installation height
 d = Useful depth
 L = Length
 HU = Standard height unit, 1 HU = 44.45 mm
 19" = 482.6 mm, (ideal for 19" components in acc. with DIN 41494)
 UP = Unit of packaging
 kg = Weight

Conversion: 1 inch = 25.4 mm
 1 pound = 453.6 g
 Replace 'x' with the number of your color choice

OU = Office unit (50 mm)
 FH = Folder height, min. 325 mm / 12.8"

Office pedestal (Elicon Classic)

Technical data

- Wooden bonded main units
 - Drawer fronts with bow segment handle 160mm
 - Double-wheel casters diameter 37mm, mounted with steel plate
 - 1/2/3 OU partial extension, 6 OU full extension
 - Container 1/3/6 with hanging file-folder frame and counter weight
 - Bonded main unit
 - All telescopic slides enclosed
 - Drawer catch
 - Central locking system with exchangeable cylinder
 - One folding key, one regular key
- **Height units**
 - 1 OU (50 mm) Storage drawer
 - 2 OU (100 mm) Drawer half pull
 - 3 OU (150 mm) Drawer full pull
 - 6 OU (300 mm) Drawer full pull
 - **Drawer unit model:**
 - **each storage drawer (1 OU) plus;**
 - **3x150 mm (3x3 OU) or,**
 - **1x150 mm, 1x300 mm (3 OU+6 OU) or,**
 - **2x100 mm, 1x150 mm (2x2 OU+3 OU)**
 - At 300 mm with suspension frame
 - **Load rating**
 - 400 N per twin swivel castor
 - **Material / Finish**
 - Main unit and top cover: Three-layer particle board, FP/Y E1 version, directly coated, fire protection class B2
 - Drawer tray: Sheet steel in black

- **Technical data**
 - Drawer front from laminated particle board
 - Segment bow handle: Cast metal
 - ESD version (color .7)
 - Standard version (color .1, .5, .8 and .9)
- **ESD version**
 - Main unit and top cover, conductive
 - Drawer trims in wood version, three-layer particle board FP/Y E1 version Directly coated, fire protection class B2
 - Requirements in acc. with EN 61340 and EN 438
 - **Trials/tests in acc. with** IEC 61340-5-1, EN 438 T1 + T2
- **Colour combination**
 - Final digit of order number .1:**
 - Main unit, top cover and drawer front: RAL 7035 light grey
 - Segment bow handle: Matt nickel plated
 - Final digit of order number .5:**
 - Main unit and top cover: RAL 7021 black-grey
 - Drawer front: beech décor
 - Segment bow handle: Matt nickel plated
 - Final digit of order number .7 / ESD-Version:**
 - Main unit, top cover and drawer front: RAL 7035 light grey
 - Segment bow handle: Matt nickel plated
 - Final digit of order number .8:**
 - Main unit and top cover: RAL 7021 black-grey
 - Drawer front: RAL 7012 basalt grey
 - Segment bow handle: Matt nickel plated

Final digit of order number .9:

- Main unit, top cover and drawer front: RAL 7021 black-grey
- Segment bow handle: Matt nickel plated
- **Standards**
 - Main unit and top cover: DIN 68765
 - EN 438 for high pressure laminate
- **On request:**
 - Containers with different locks and master key
 - Other handles and surfaces available
- **Supply schedule**
 - 1 mobile office pedestal
- **How supplied**
 - Assembled

W	H	D	Model	Order-no.	UP
435	566	600	1/3x3 OU	00.321.550.x	1 unit
435	566	600	1/3/6 OU	00.321.551.x	1 unit
435	566	800	1/3x3 OU	00.321.552.x	1 unit
435	566	800	1/3/6 OU	00.321.553.x	1 unit
435	466	600	1/2x2/3 OU	00.321.554.x	1 unit



8 OU mobile office pedestal in version .9

Office pedestal (VC / VC-E)

Technical data

- **Height units**
 - 1x1 OU (50 mm) material drawer
 - 1x2 OU (100 mm) drawer
 - 2x3 OU (150 mm) drawer
- **Colour combination**
 - **Final Digit .B:**
 - Body and cover plate : RAL 9006 White aluminum
 - **Final Digit .H:**
 - Front panels: Nelson Oak
 - Segmented bow handles: matt nickel plated
 - **Final Digit .H:**
 - Body and cover plate : RAL 9006 White aluminum
 - Front panels: RAL 9006 White aluminum
 - Segmented bow handles: matt nickel plated

W	H	D	Model	Part No.	PU
435	516	500	1/2/2x3 OU Nelson Oak	00.321.560.B	1 pc
435	516	500	1/2/2x3 OU RAL9006 White aluminum	00.321.560.H	1 pc



9 OU mobile office pedestal in version .H

Knürr Smart LED

Modern LED underfit lamp for installation beneath a workstation superstructure level.

- LED technology for optimum energy efficiency
 - Frosted glass cover prevents direct glare
 - Integrated electronic power supply for a slim design
 - Easy to reach on/off switch
 - Lamp tiltable by 15°
 - Simple assembly
- **Material**
 - Sheet-steel, powder-coated
 - **Finish**
 - Powder-coating RAL 9006 white-aluminum
 - **Technical Data**

Dimensions:

 - Overall height: approx. 80 mm
 - Overall width: see table

Light:

- Luminous flux:
 - 1100 lm (version W 700 mm)
 - 1780 lm (version W 1300 mm)
- Color of light: neutral white (EN 12464-1)
- Color temperature: 4000 K
- Color rendering index: Ra > 80

Electrical:

- Power consumption max.
 - 10 W (version W 700 mm)
 - 18 W (version W 1300 mm)
- Power supply: 220 – 240 V 50/60 Hz
- Integrated on/off switch
- C13 mounting socket
- 2.0m Schuko power cord

- **Supply Schedule**

- 1 Lamp Smart LED
- 1 Mounting material
- 1 Power cord

Variant	W	Order-no.	UP
Underfit lamp	700	00.350.190.9	1 unit
Underfit lamp	1300	00.350.191.9	1 unit



ACC20017



Knürr Smart LED

ACC20018

LED Workstation Lamp Taneo

• **Technical data**

- Fitted with: 24 x Light-emitting diode light color neutral white, 3800-4300 K, Color Rendering Index (CRI)=80
- Work equipment: electronic transformer
- Connected load: 100-240 V; 50/60 Hz
- Power consumption: approx. 31 W
- Glare-free: conical prismatic screen
- System of protection: IP 20
- Class of protection: II
- Usage: multi-function switch
- Luminaire body: material sectional, aluminum surface, anodised color, aluminum colored, anodised
- Lamp cover: acrylic clear
- Tubular sections: material tubular,

- aluminum section, surface anodized, Form tubular section upright, color aluminum colored anodised
- Balance of articulation joints: spring
- Weight (net): approx. 1.9 kg
- Mains lead approx. 3.3 m; mains plug CEE 7/XVI
- Fastening: screw-down flange,

- **Supply schedule**

- 1 LED Workstation lamp Taneo

- **Please note**

- (Please always order mounting adapter of choice)



Workstation lamp Taneo

ACC20022

Picture: Herbert Waldmann GmbH & Co. KG

Order-no.	UP
00.350.167.9	1 unit

Knürr Lumax LED Lamp Workstation lamp

- State of the art LED-Modules for highest efficiency
- Glare free
- Photometric properties checked according to DIN EN 13032-1
- Overdimensioned LED-Modules allow for dimming in the first years of use and thus grant extremely longevity
- Dimmable with „Touch DIM“ feature via push button on the lamp or at tabletop
- 20° tiltable

Material

- Sheet steel powder coated

Color combinations

Lamp:

- Metallic grey microstructure
- Side cover:
RAL 9007 grey aluminum microstructure

Technical Data (W1140)

Dimensions:

- Width: 1140 mm
- Height: 30 mm (without mounting adapter)
- Depth: 100 mm

Light:

- Luminous flux 2160 lm
- Luminous efficiency: 80 lm/W
- Color temperature: 4000 K
- Color rendering index: Ra > 80
- SDCM: 4
- Dimming range: 1 – 100%
- Average lifetime (LED): 50.000 h

Electrical:

- Power consumption max. 27 W
- Power supply: 220 – 240 V 50/60 Hz

Technical Data (W1700)

Dimensions:

- Width: 1700 mm
- Height: 30 mm (without mounting adapter)
- Depth: 100 mm

Light:

- Luminous flux 3255 lm
- Luminous efficiency: 83 lm/W
- Color temperature: 4000 K
- Color rendering index: Ra > 80
- SDCM: 4
- Dimming range: 1 – 100%
- Average lifetime (LED): 50.000 h

Electrical:

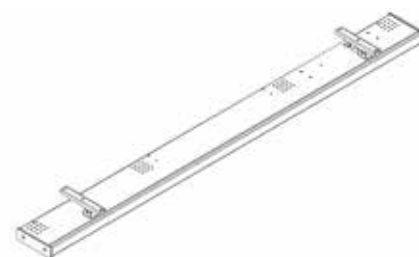
- Power consumption max. 39 W
- Power supply: 220 – 240 V 50/60 Hz

Supply schedule

- 1x LED lamp with integrated LED driver
- Version with offset switch:
1x module with external push button for switching and dimming
- 1x Schuko lead (3m)
- Mounting material

How supplied

- Pre-assembled



Workstation lamp (underfit)

CON20136

Description	Model	Order-no.	UP
Knürr Lumax LED 1140U 4000K int.	Workstation lamp with integrated push button	00.350.182.9	1 unit
Knürr Lumax LED 1140U 4000K ext.	Workstation lamp with offset push button (below table top)	00.350.183.9	1 unit
Knürr Lumax LED 1700U 4000K int.	Workstation lamp with integrated push button	00.350.186.9	1 unit
Knürr Lumax LED 1700U 4000K ext.	Workstation lamp with offset push button (below table top)	00.350.187.9	1 unit

Dimensions in mm:	W = Width	HU = Standard height
	H = Height	unit, 1 HU = 44.45 mm
	D = Depth	19" = 482.6 mm,
	h = Installation height	(ideal for 19" components
	d = Useful depth	in acc. with DIN 41494)
	L = Length	UP = Unit of packaging
Conversion:	1 inch = 25,4 mm	kg = Weight
	1 pound = 453,6 g	Replace „x“ with the number
		of your color choice

Knürr Task LED

The Knürr Task LED is fitted with a bright LED lamp that provides pleasant task lighting and an easily accessible dimming button.

A specially developed highly reflective plastic reflector ensures glare-free working. What's more, even with such impressive performance figures, the Knürr Task LED is surprisingly economical in terms of energy consumption, with only 8 W of installed consumption for an average illuminance of up to 700 lx.

- Light and easy to adjust to your individual position
- Specially developed reflector for glare-free lighting
- Switching and dimming with memory function via easily accessible control button in the luminaire head
- Automatic cut-off and switch-on behavior can be adjusted
- Maintenance free LED technology with a service life of up to 50,000 hours and more

• Technical data

- Color temperature neutral white 4,000 K
- Connected load 100-240 V; 50/60 Hz
- Power consumption approx. 8 W
- Luminous flux approx. 600 lm
- Luminous efficacy approx. 75 lm/W
- Illuminance efficiency factor 93 lx/W
- Color rendering index (CRI) >80 (typ.85)
- Supplied with 3 m mains lead and with mains plug type CEE 7 / 16 (Euro plug),
- Various fastenings as accessories

• Color

- Aluminum black coated

• Supply schedule

- 1 Knürr Task LED
(Please always order mounting adapter of choice)



Knürr Task LED L

DAA20083

Description	Model	Order-no.	UP
Knürr Task LED	2 hinges (1 arms)	00.350.179.9	1 unit
Knürr Task LED L	3 hinges (2 arms)	00.350.174.9	1 unit

Knürr Task LED Flex

The Knürr Task LED Flex brings the combination of lighting quality, energy efficiency, and design to a new level. The richly contrasting interaction between angular and elliptical forms lends it a unique character. The advantages of its cleverly designed thermal management are plain to see: higher energy efficiency, longer service life, and less heating up.

- Light and easy to adjust to your individual position
- Specially developed reflector for glare-free working
- Switch-off and dimming with a light touch of the touch-LED
- Intelligent Auto-Off function (after 14 h) reduces power consumption
- Maintenance free LED technology with a service life of up to 50,000 hours and more

• Technical data

- Color temperature neutral white 4,000 K
- Connected load 100-240 V; 50/60 Hz
- Power consumption approx. 7 W
- Luminous flux approx. 400 lm
- Luminous efficacy approx. 57 lm/W
- Illuminance efficiency factor 64 lx/W
- Color rendering index (CRI) >80
- Supplied with 2.3 m mains lead and with mains plug type CEE 7 / 16 (Euro plug),
- Various fastenings as accessories

• Color

- Aluminum anodized

• Supply schedule

- 1 Knürr Task LED Flex
(Please always order mounting adapter of choice)



Knürr Task LED Flex L

DAA20054

Description	Model	Order-no.	UP
Knürr Task LED Flex	Length approx. 30 cm	00.350.169.9	1 unit
Knürr Task LED Flex L	Length approx. 90 cm	00.350.165.9	1 unit

Mounting Adaptors

Important information

- Our workstation lamps are supplied as standard with a universal adaptor. Please order the corresponding adaptor or the respective Knürr Console.

Versions

Functional rail

- for Installation on functional rails as used with Ergocon, Elicon or Dacobas

Elicon Profile (top)

- for fixation at the top side of Dacobas or Elicon Profiles

Universal mounting adaptor

- for fixation at tabletops with a max. height of 70mm

Supply schedule

- 1 Adaptor
- Mounting material

Color/Surfaces

- Plastic / Aluminum powder coated



DAA20053

Mounting adaptor for functional rail



CON20017

Mounting adaptor for Elicon-Profile (top)



ACC20050

Universal mounting adaptor



DAC20036

Mounting adaptor for Dacobas-Profile (top)

System	Color	Order-no.	UP
Functional rail	RAL9006 white aluminium	01.316.225.9	1 set
Elicon-Profile (top)		00.351.031.7	1 set
Universal mounting adaptor	Black	00.350.180.9	1 unit
Dacobas Profile	RAL9006 white aluminum	01.316.256.9	1 set

LED Magnifier Lamp Tevisio

Technical data

- Equipped with: 48 x LED, neutral white
- 3700 - 4200 K, color rendition index (CRI) 90
- Electronic transformer plug
- Mains: 100-240V; 50/60 Hz
- Power consumption: ca. 14 W
- Degree of protection: IP 20
- Protection class II
- Continuous dimming
- Multi-function switch
- Net weight: ca. 2.7kg
- BS 1363, CEE7/XVI, NEMA 1-15P
- Mounting: mounting flange, base
- Lense: 3,5 diopters

Dimensions

- Diam. magnifier lens: D160 mm
- Mains cable: ca. 3,4 m Schuko type plug

Material

- Magnifier lens: glas

Color/Surfaces

- Housing:
- ABS, black
- Cover:
- Polyamide, matte (PA)
- Swivel arm:
- Extruded aluminum profile, clear anodized

How supplied

- 1 LED Magnifier Lamp Tevisio



LED Magnifier Lamp „Tevisio“

ACC20023

Picture: Herbert Waldmann GmbH & Co. KG

Order-no.	UP
00.350.155.1	1 unit

Dimensions in mm: W = Width
H = Height
D = Depth
h = Installation height
d = Useful depth
L = Length

Conversion: 1 inch = 25,4 mm
1 pound = 453,6 g

HU = Standard height unit, 1 HU = 44,45 mm
19" = 482,6 mm, (ideal for 19" components in acc. with DIN 41494)
UP = Unit of packaging
kg = Weight
Replace „x“ with the number of your color choice

Knürr Elicon® as Electronics Engineer Workstation

• **Flexibility**

- Individual combination and positioning of the functional modules/components
- Quick start-up operation with preassembled and wired structural units
- Easy exchange of modules/components on the Rapomos superstructure with integrated power supply bus system, and consequently, optimum adjustment
- Variable system link-up with the extensive Elicon desk and superstructure range



CON20107



CON20101



You will find installation components in the current **workstations for electronic engineers** brochure



Our Quality Promise:



Highest quality is guaranteed



10 years warranty on surfaces and mechanics



Up to 5 years warranty for lifting columns with up to 10,000 lifting cycles

Ergonomically designed products and solutions from a single source

Vertiv with Knürr Control Room Infrastructure is worldwide known as competent and reliable partner for holistic control room solutions and mobile equipment carrier. The ergonomically designed products are internationally in use and convince in demanding 24h-Mission-Critical Control Room environment of multiple industrial sectors.

Learn more about Control Room Infrastructure solutions and services at www.VertivCo.com and www.technical-furniture.com.

Vertiv Integrated Systems GmbH

Knürr Control Room Infrastructure
Mariakirchener Straße 38
94424 Arnstorf
Germany
T +49 8723 28 0
F +49 8723 28 138
furniture.knuerr@vertivco.com
www.VertivCo.com
www.technical-furniture.com



VertivCo.com | George Curl Way, Southampton, SO18 2RY, VAT Number: GB188146827

© 2017 Vertiv Co. All rights reserved. Vertiv™, the Vertiv logo, Liebert® Trinergy™ Cube, Liebert HPC-M are trademarks or registered trademarks of Vertiv Co. All other names and logos referred to are trade names, trademarks or registered trademarks of their respective owners. While every precaution has been taken to ensure accuracy and completeness herein, Vertiv Co. assumes no responsibility, and disclaims all liability, for damages resulting from use of this information or for any errors or omissions. Specifications are subject to change without notice.

09.991.093.0.000001 • MKA4LOUKell Rev.1-08/2018