



NETYS PR

High performance protection on rack or tower
from 1700 to 3300 VA - Rack/Tower

Single-phase UPS



The solution for

- > Professional and IT equipment
- > Servers and networking devices
- > CAD / graphic workstations with monitors and peripherals
- > Control systems

Technology

- > VI "line interactive" with AVR, sine wave

Certifications



A secure and professional supply continuity

- Ideal solution for protecting small servers, networking devices and peripherals.
- Assures service continuity to critical applications.
- Designed for professional applications: the sine wave inverter technology assures full compatibility with any kind of load and power supply.

Tailored to IT networking

- The space and time-saving tower/rack conversion option means it can be installed easily either in tower mode or inside standard 19" rack cabinets depending on the user's needs.

Simple to install

- No configuration needed on first startup.
- Compact footprint (2U/89 mm) for installation in rack cabinets.
- Attractive design for visible installation in offices.
- USB port and HID protocol as standard for direct interfacing with Windows® systems, without the need for additional specialist software.

Protection for your data line

- Integrated NTP protection for LAN/ADSL connection against the risk of data line overvoltage.

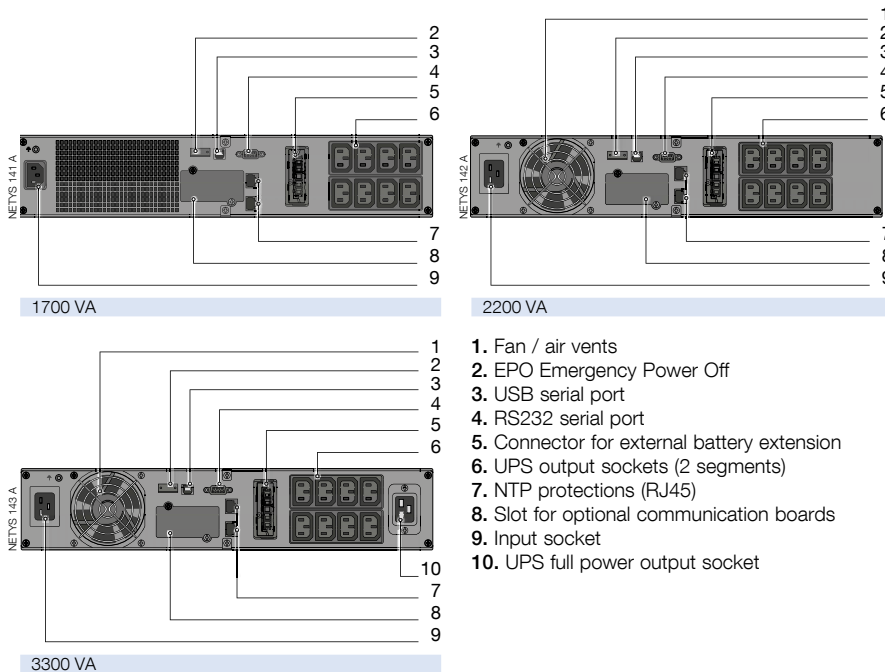
Meets practical needs

- Optional battery extension modules (EBM) to meet all back-up time requirements, even after installation.
- Clear and uncluttered LCD interface, with buzzers that immediately indicate the operating status of the UPS, even for less specialist users.
- Simplified maintenance and Battery 'hot swap', without closing down other applications.

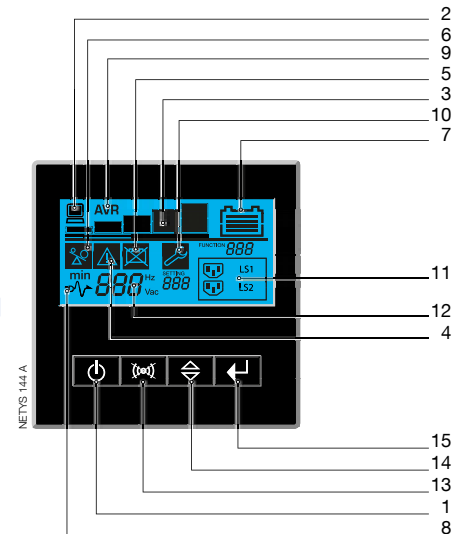
Easy to use and to integrate

- Wide range of communication protocols available in options (including JBUS, TCP/IP and SNMP) for integration into LAN networks or building management systems (BMS).
- Easy connections to the applications (depending on power) via 8 or 8+1 IEC 320 (IT standard) sockets.
- Load segmentation function to prioritize loads and manage critical situations.
- EPO (Emergency Power Off) emergency stop.
- RS232 advanced connections for the management of the power supply and local/remote shutdown of applications.

Connections



Control panel



1. On / Off
2. Load present
3. Load level (5 steps)
4. General Alarm
5. Battery fault / Replace the battery
6. Overload
7. Battery capacity
8. Normal mode / Battery mode (flashing)
9. Automatic Voltage / Regulation active
10. Configuration
11. Programmable outlets
12. Input value
13. UPS test / Buzzer off
14. Navigator button
15. Enter

Technical data

NETYS PR Rack/Tower			
Sn	1700 VA	2200 VA	3300 VA
Pn	1350 W	1800 W	2700 W
Input/output	1/1		
INPUT			
Rated voltage	230 V		
Voltage tolerance	161 V \pm 4% (selecting wide mode) -276 V \pm 4%		
Rated frequency	50/60 Hz with automatic selection		
Mains connection	IEC320-C14 (10 A)	IEC320-C20 (16 A)	
OUTPUT			
Automatic Voltage Regulation (AVR)	The AVR increases (boost 1) the output voltage by 14% when the input voltage drops below 90% of the nominal value. The AVR decreases (bucks) the output voltage by 12% when the input voltage rises above 106% of the nominal value.		
Rated voltage	230 V \pm 5%		
Rated frequency	50/60 Hz \pm 0.1%		
Power factor	0.9 @ 1500 VA	0.9 @ 2000 VA	0.9 @ 3000 VA
Wave form	Sine wave		
Protection	Normal Mode: overload (110% for 3 minutes) Battery Mode: overload (110% for 30 seconds); shortcircuit protected		
Connections	8 (10 A) x IEC 320		8 (10 A) x IEC 320 1 (16 A) x IEC 320
BATTERIES			
Type	Sealed lead-acid maintenance free - expected life 3/5 years		
Back-up time ⁽¹⁾	6 min	8 min	6 min
COMMUNICATION			
Interfaces	RS232 - USB		
Ethernet adapter	NET VISION (TCP/IP & SNMP) optional card		
Local communication software	Local View		
Data line protection	NTP data line suppressor: RJ45 10 Base T		
UPS CABINET			
Dimensions W x D x H	440 x 436 x 87 mm		440 x 608 x 87 mm
Weight	18 kg	28.2 kg	31.5 kg
STANDARDS			
Safety	IEC/EN 62040-1, AS 62040.1.1, AS 62040.1.2		
EMC	IEC/EN 62040-2, AS 62040.2		
Product declaration	CE, RCM (E2376)		

(1) @ 75% of load.

Standard communication features

- LOCAL VIEW: ideal UPS monitoring and shutdown point-to-point solution for Windows®, Linux and Mac OS X® operating systems.
- HID: UPS management based on Windows® and Mac OS X® embedded service - USB interface.
- MODBUS RTU (RS232).

Communication options

- NET VISION: professional WEB/SNMP interface for UPS monitoring and shutdown management of several operating systems.
- Dry-contact interface.
- Rails

Battery extensions

NETYS PR	+ 1 (NPR-B1700-RT)	+ 2 (NPR-B1700-RT)
1700 VA	22 min	42 min
NETYS PR	+ 1 (NPR-B3300-RT)	+ 2 (NPR-B3300-RT)
2200 VA	37 min	72 min
3300 VA	22 min	43 min